

TA-D505

SERVICE MANUAL

*AEP Model
UK Model
E Model
Australian Model*



SPECIFICATIONS

Continuous RMS power output

60 W + 60 W
(6 ohms, at 1 kHz, 5% THD)
50 W + 50 W
(6 ohms, DIN, 1 kHz)

Music power output

90 W + 90 W
(6 ohms, at 1 kHz, 10% THD)

Frequency response

15 Hz to 50 kHz ± 0.3 dB

Power requirements

220-230 V AC, 50/60 Hz

Power consumption

150 W

AC outlet

1 unswitched, 100 W max.

Weight

Approx. 8 kg (17 lbs 11 oz)

Dimensions

Approx. 355 × 132.5 × 320 mm
(w/h/d, including projections)
(14 × 5 1/4 × 12 5/8 inches)

Input	Jack type	Sensitivity	Impedance
PHONO (MM)	Phono	3.3 mV	47 kohms
VIDEO1	Phono	245 mV	47 kohms
VIDEO2	Phono	245 mV	47 kohms
CD	Phono	245 mV	47 kohms
MIC	Phone	1,6 mV	10 kohms

Output	Jack type	Voltage	Impedance
VIDEO1	Phono	200 mV	2 kohms
SURROUND SPEAKER	Phono	Accepts speakers of 16 ohms	
HEADPHONES	Stereophone	Accepts headphones of 8 ohms or more	

Design and specifications subject to change without notice.

Note

This appliance conforms with EEC Directive 87/308/EEC regarding interference suppression.

STEREO AMPLIFIER
SONY®

SAFETY CHECK-OUT

After correcting the original service problem, perform the following safety check before releasing the set to the customer:

Check the antenna terminals, metal trim, "metallized" knobs, screws, and all other exposed metal parts for AC leakage. Check leakage as described below.

LEAKAGE TEST

The AC leakage from any exposed metal part to earth ground and from all exposed metal parts to any exposed metal part having a return to chassis, must not exceed 0.5 mA (500 microamperes). Leakage current can be measured by any one of three methods.

1. A commercial leakage tester, such as the Simpson 229 or RCA WT-540A. Follow the manufacturers' instructions to use these instruments.
2. A battery-operated AC milliammeter. The Data Precision 245 digital multimeter is suitable for this job.
3. Measuring the voltage drop across a resistor by means of a VOM or battery-operated AC voltmeter. The "limit" indication is 0.75 V, so analog meters must have an accurate low-voltage scale. The Simpson 250 and Sanwa SH-63Trd are examples of a passive VOM that is suitable. Nearly all battery operated digital multimeters that have a 2V AC range are suitable. (See Fig. A)

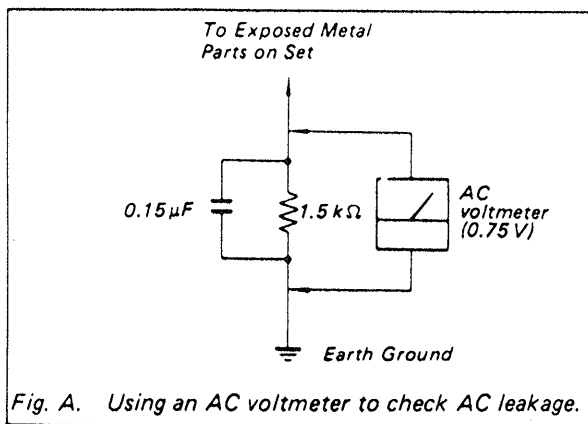
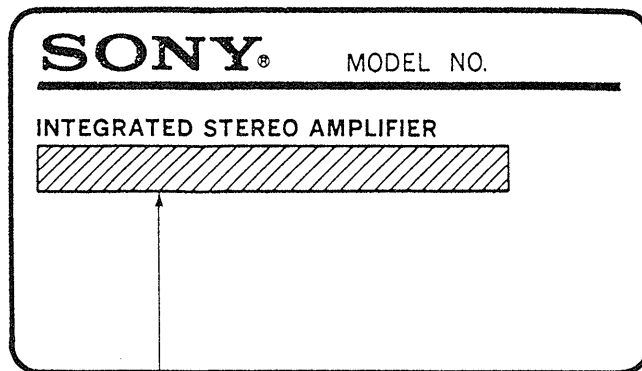


TABLE OF CONTENTS

<u>Section</u>	<u>Title</u>	<u>Page</u>
SECTION 1.	GENERAL	3
SECTION 2.	DIAGRAMS	
2-1.	IC Pin Function	4
2-2.	Circuit Boards Location	6
2-3.	Printed Wiring Boards	8
2-4.	Schematic Diagram	
	—Audio Section—	13
2-5.	Schematic Diagram	
	—Control Section—	18
SECTION 3.	EXPLODED VIEWS	
3-1.	Cabinet Section	21
3-2.	Main Board Section	22
SECTION 4.	ELECTRICAL PARTS LIST	23

MODEL IDENTIFICATION —Specification Label—



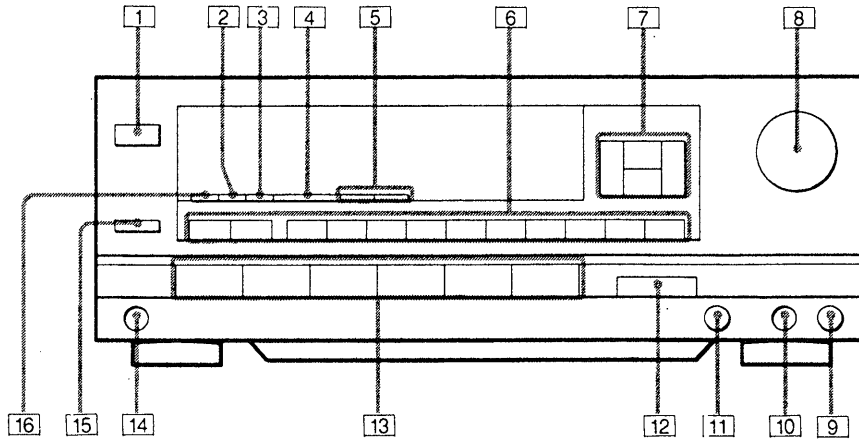
AEP, GERMANY, ITALIAN model: AC: 220V~ 50/60Hz
 UK model: AC: 240V~ 50/60Hz
 E, SAUDI ARABIA,
 AUSTRALIAN model: AC: 120/220/240V~ 50/60Hz

SAFETY-RELATED COMPONENT WARNING!!

COMPONENTS IDENTIFIED BY MARK Δ OR DOTTED LINE WITH MARK Δ ON THE SCHEMATIC DIAGRAMS AND IN THE PARTS LIST ARE CRITICAL TO SAFE OPERATION. REPLACE THESE COMPONENTS WITH SONY PARTS WHOSE PART NUMBERS APPEAR AS SHOWN IN THIS MANUAL OR IN SUPPLEMENTS PUBLISHED BY SONY.

SECTION 1 GENERAL

This section is extracted
from instruction manual.



Amplifier

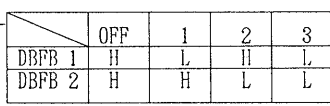
- 1 POWER switch 10
- 2 FLAT button 44
- 3 REVERSE button 42
- 4 DBFB button 12
- 5 SURROUND (MODE/LEVEL) buttons 38
- 6 Buttons for storing and recalling equalization effects 41
- 7 CURSOR CONTROL 44
- 8 VOLUME control 12
- 9 MIC (microphone) LEVEL control 36
- 10 MIC (microphone) jack 36
- 11 BALANCE control 12
- 12 EFFECT button 38
- 13 Function selectors
- 14 HEADPHONES jack
- 15 PROGRAM FUNCTION button (only for the system used with CDP-M42) 49
- 16 DISPLAY button 40

SECTION 2 DIAGRAMS

2-1. IC PIN FUNCTION

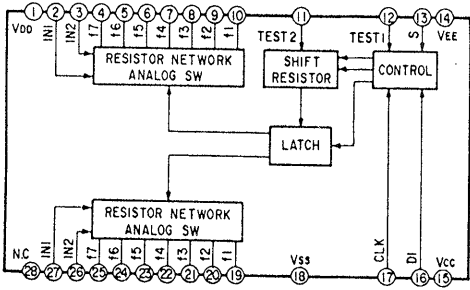
IC708 SYSTEM CONTROLLER (μ PD75212ACW-281)

The IC708 system controller controls audio/video signal selection, switching of DBFB, graphic equalizer and surround, volume adjustment, FL tube display, key input, and input/output of audio bus.

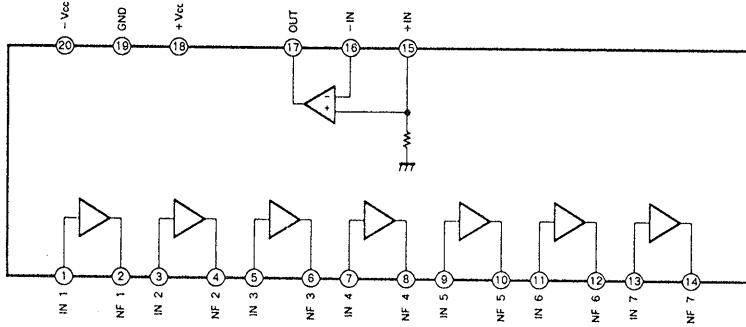
Pin No.	Pin Name	I/O	Function
1	S3	0	FL tube segment & key scan output
2	S2	0	FL tube segment & key scan output
3	S1	0	FL tube segment & key scan output
4	S0	0	FL tube segment & key scan output
5	AC OUT	1	Power OFF & recovery detection input
6	SCK	1	Function mode switching. "L":CDP-M42, "H":CDP-C312M
7	MUTE	1	Mute control input. connected to the POWER SW on CD "H" or "OPEN" = MUTE
8	CONNECT	1	System connection check input. "CONNECT" blinks on FL tube if "H" or "OPEN".
9	AU BUS IN	1	Audio bus input
10	RY IN	1	Relay (RY601) control input
11	VOL 1TI	1	Volume (RV702) position detection input
12	SIGNAL	1	Signal level detection input
13	VIDEO	0	Video selection output. "L":VIDEO 1, "H":VIDEO 2
14	KARAOKE	0	KARAOKE mode control output. "L":KARAOKE mode
15	VOL-UP	0	Volume (RV702) up output
16	VOL-DWN	0	Volume (RV702) down output
17	CLOCK 0	0	Outputs serial data transfer clock to the IC701, 705 (FL tube display), and IC401 (graphic equalizer electronic volume).
18	CLOCK 1	0	Outputs serial data transfer clock to the IC351, 701 (selector, surround control).
19	DATA	0	Outputs serial data output
20	MUTE 2	0	Muting output
21	KI 0	1	Key scan input
22	KI 1	1	Key scan input
23	KI 2	1	Key scan input
24	KI 3	1	Key scan input
25	PGMF-L	0	PGMF mode LED output
26	DBFB-L1	0	DBFB control 1 output } 
27	DBFB-L2	0	
28	AU BUS OUT	0	Audio bus output
29	PPO	0	PWM output
30	X1	1	Clock (4.19MHz) input
31	X2	1	Clock input
32	V _{SS}	—	GND
33	XT1	1	Not used (always GND)
34	XT2	—	Not used
35	VOLL	0	Volume LED output
36	EFFECT L	0	Effect LED output
37	V1 VL	0	Video 1 video LED output
38	V2 VL	0	Video 2 video LED output
39	RESET	1	Reset input
40	T0	0	FL tube digit output
41	T1	0	FL tube digit output
42	T2	0	FL tube digit output
43	T3	0	FL tube digit output
44	T4	0	FL tube digit output
45	T5	0	FL tube digit output
46	T6	0	FL tube digit output
47	T7	0	FL tube digit output
48	T8	0	FL tube digit output
49	T9	0	FL tube digit output
50	T10	0	FL tube digit output
51	T11	0	FL tube digit output
52	S13	0	FL tube segment & key scan output
53	S12	0	FL tube segment & key scan output
54	S11	0	FL tube segment & key scan output
55	S10	0	FL tube segment & key scan output
56	V _{LOAD}	1	Power for built-in FL tube controller (-28V)
57	V _{REF}	1	Power for built-in FL tube predriver (-4V)
58	S9	0	FL tube segment & key scan output
59	S8	0	FL tube segment & key scan output
60	S7	0	FL tube segment & key scan output
61	S6	0	FL tube segment & key scan output
62	S5	0	FL tube segment & key scan output
63	S4	0	FL tube segment & key scan output
64	V _{DD}	—	Power supply (+5V)

● IC Block Diagrams

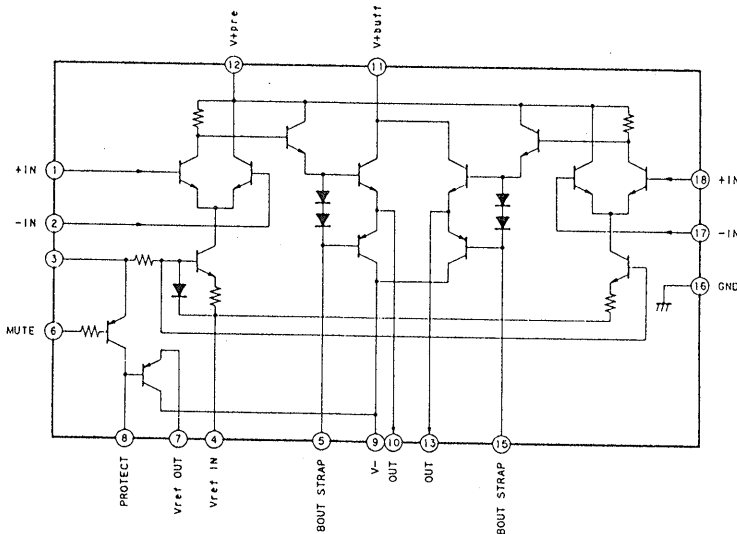
IC401 LC7522K



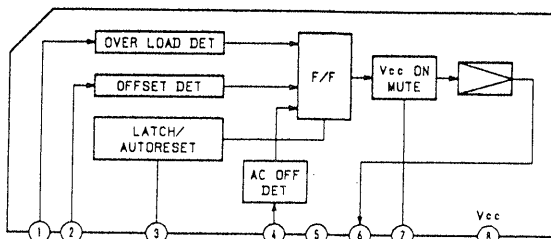
IC402,452 M5289P



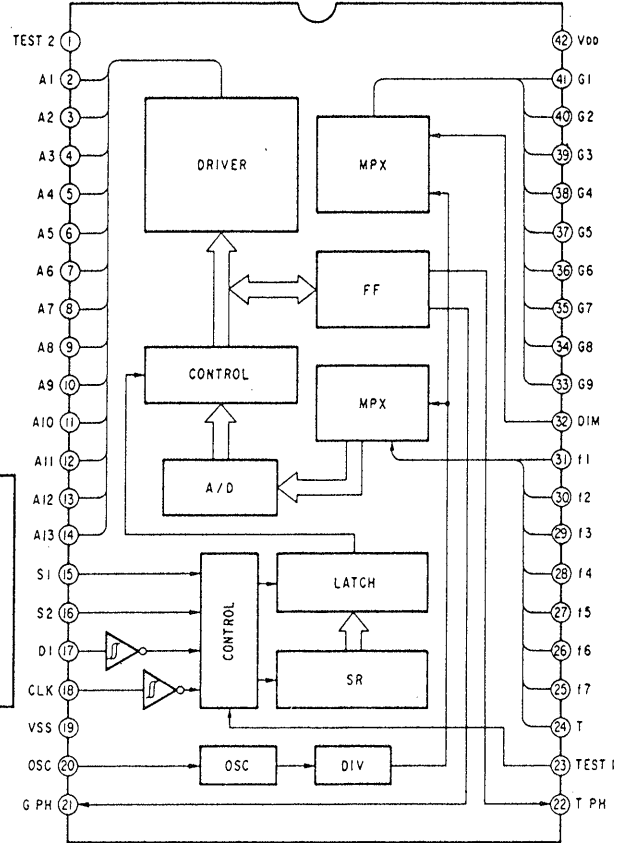
IC601 STK4152MK2



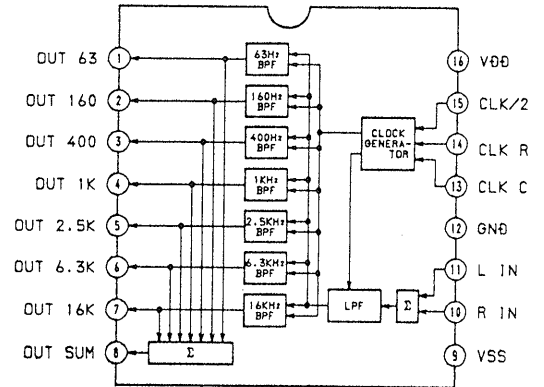
IC602 μPC1237HA



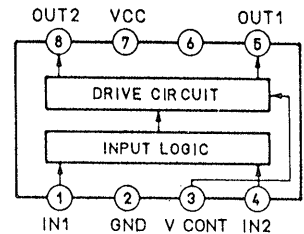
IC701 LC7565K



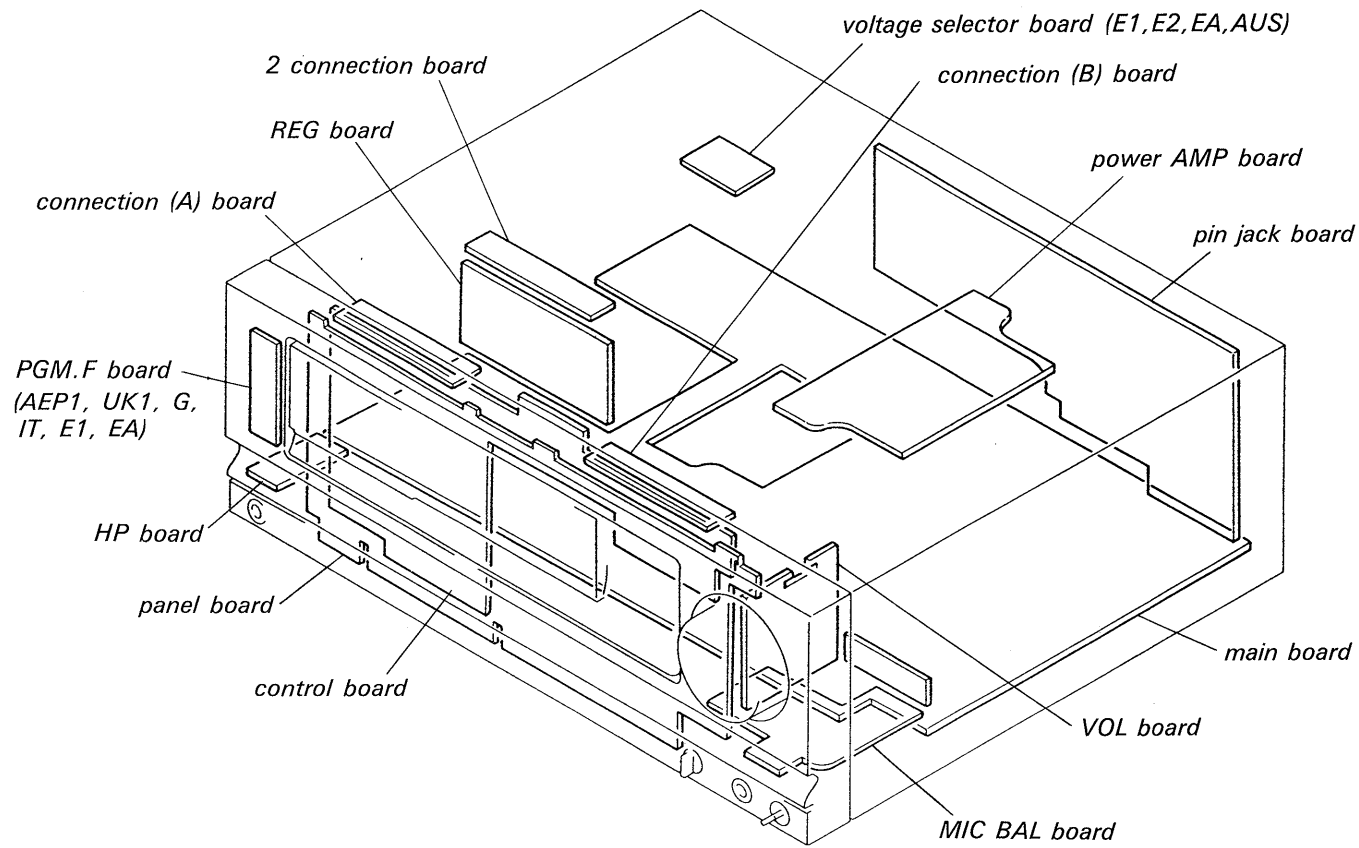
IC702,707 XR1091DCP



IC704 LB1639

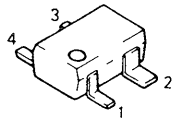


2-2. CIRCUIT BOARDS LOCATION

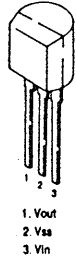


● Semiconductor Lead Layouts

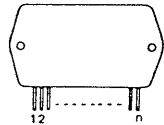
MM1031XS



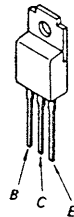
M51943BSL



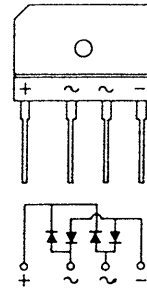
STK4152MK2



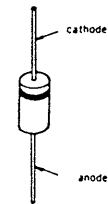
2SB1094L



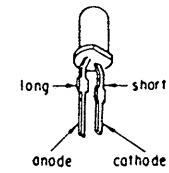
RBV-602-01



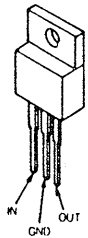
UZ-4.7BSA
UZP-7.5B
UZL-15L
UZL-36L
UZL-6L3
UZL-6M2
UZL-7L3
1S1585
10E2N



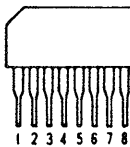
SEL22110S-C



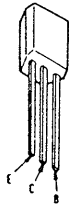
M5F7807L



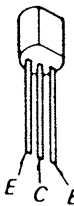
M5218AL
μPC1237HA



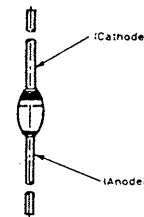
DTA124ES
DTC114ES
2SC2603-EF



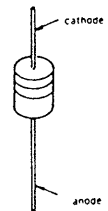
2SC1841-PAFAEA
2SC3622A-LK



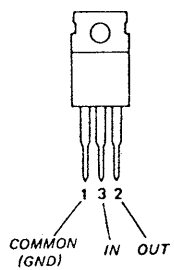
UZ-3.9BSB



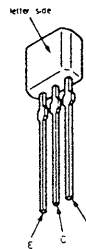
1SS120
11ES2



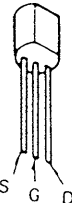
M5F7907L



2SA1175-FEK
2SA1175HFE
2SC2785-FEK



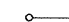
2SK246-GR2

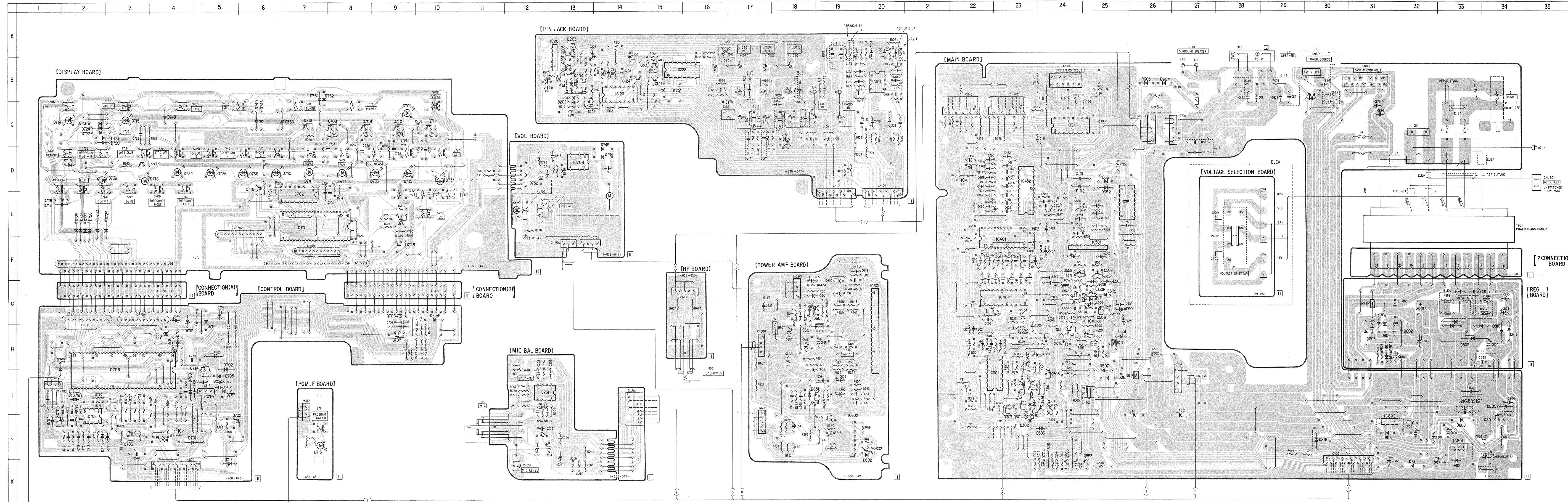


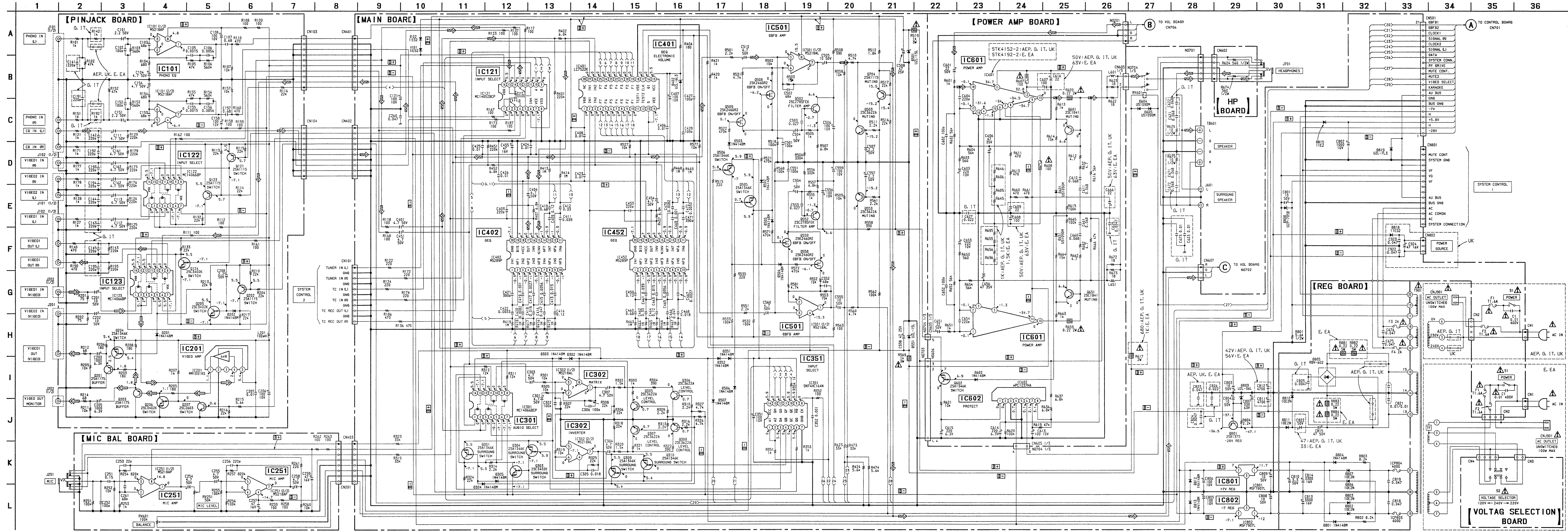
2-3. PRINTED WIRING BOARDS

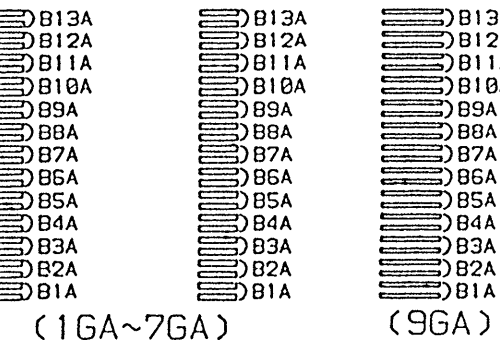
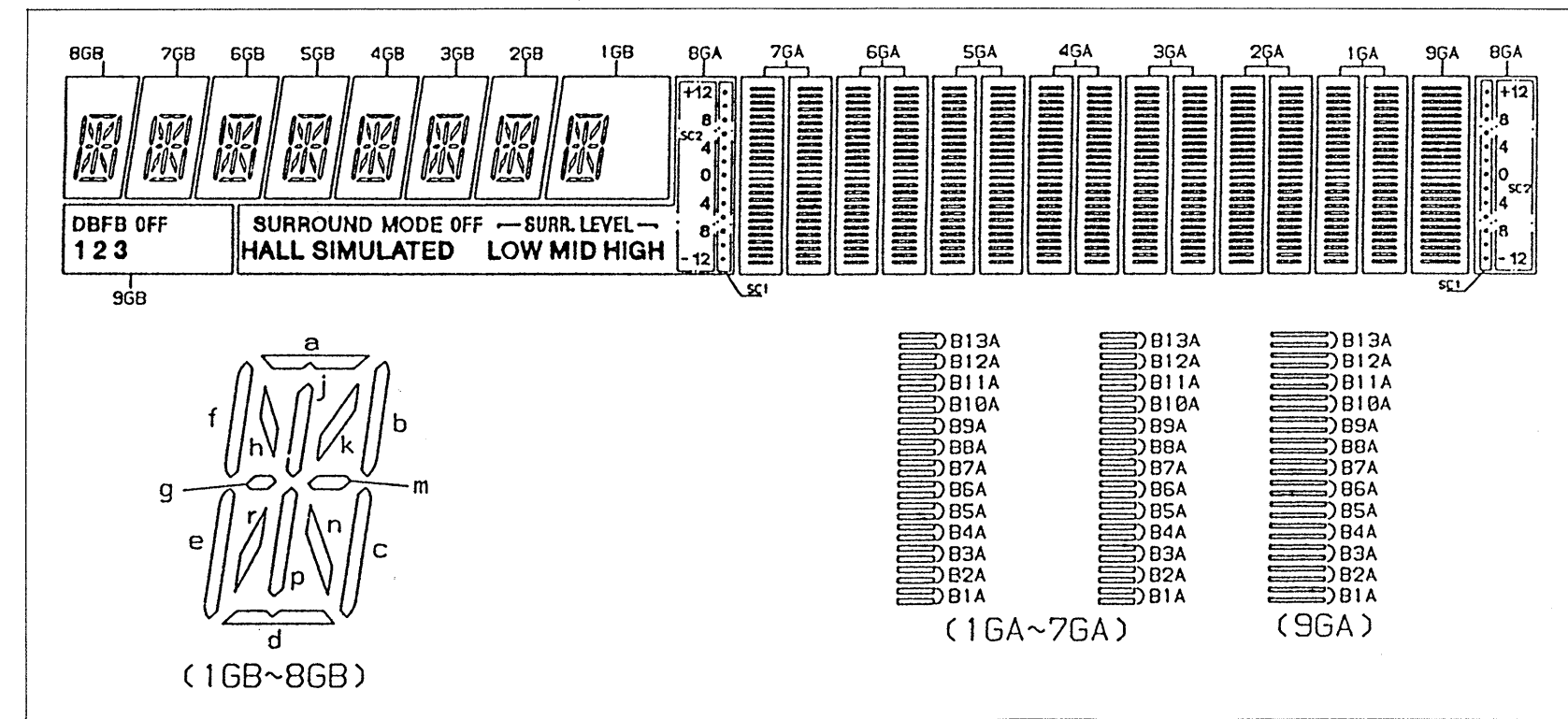
● SEMICONDUCTOR LOCATION

Ref. No.	Location	Ref. No.	Location	Ref. No.	Location
D101	D-24	D752	D-12	Q559	F-24
D102	E-24	D753	H-1	Q601	G-19
D201	B-13	D754	G-10	Q602	J-20
D202	C-13	D757	I-5	Q651	I-18
D302	J-23	D801	H-31	Q701	E-9
D303	J-23	D802	H-32	Q702	J-5
D304	J-23	D803	H-31	Q703	J-3
D305	D-25	D804	H-31	Q704	J-2
D352	E-25	D805	H-33	Q705	J-4
D402	F-23	D807	G-31	Q706	G-9
D501	G-25	D808	J-33	Q708	C-8
D502	G-25	D809	I-34	Q709	C-8
D503	G-25	D810	H-34	Q710	C-9
D504	G-24	D811	H-34	Q711	C-10
D505	G-25	D812	K-33	Q712	D-3
D506	I-25	D813	J-31	Q713	C-7
D507	H-25	D815	K-32	Q714	H-5
D551	H-25	D818	J-30	Q715	F-9
D601	G-18	D819	B-30	Q716	D-6
D602	J-20			Q801	J-34
D604	B-26	C101	B-20		
D605	B-26	C121	C-24		
D651	I-1	C122	B-15		
D701	J-4	C123	B-15		
D702	I-5	C201	A-13		
D703	H-4	C251	I-12		
D704	J-4	C301	I-22		
D705	I-5	C302	H-23		
D706	H-4	C351	E-25		
D707	J-1	C401	F-23		
D708	I-4	C402	G-23		
D709	C-9	C452	D-23		
D710	G-5	C501	F-20		
D711	K-5	C601	G-20		
D713	J-7	C602	J-19		
D714	C-2	C701	E-7		
D715	C-3	C702	E-7		
D716	H-4	C704	D-13		
D717	D-8	C706	J-2		
D718	D-3	C708	H-3		
D719	D-2	C710	I-5		
D720	C-2	C801	J-33		
D721	C-2	C802	J-31		
D722	C-2				
D723	C-2	Q121	B-15		
D724	C-2	Q123	B-15		
D725	E-2	Q124	B-14		
D726	E-2	Q201	B-13		
D727	E-2	Q202	C-13		
D728	E-2	Q203	A-13		
D729	E-2	Q204	B-13		
D730	E-2	Q205	B-13		
D731	E-2	Q206	A-13		
D732	B-7	Q207	B-13		
D733	D-9	Q301	J-23		
D734	D-4	Q303	J-23		
D735	D-9	Q304	J-23		
D736	D-5	Q305	I-23		
D737	D-1	Q306	I-23		
D738	D-6	Q307	H-23		
D739	D-3	Q308	I-24		
D740	D-6	Q309	I-24		
D741	D-7	Q310	I-24		
D743	J-2	Q502	H-25		
D744	D-14	Q503	J-24		
D745	D-14	Q505	G-25		
D746	C-6	Q506	G-25		
D747	E-2	Q508	F-25		
D748	C-4	Q509	F-25		
D749	C-6	Q552	H-24		
D750	C-7	Q553	K-25		
D751	B-7	Q558	G-24		

Note:  : parts extracted from the component side.







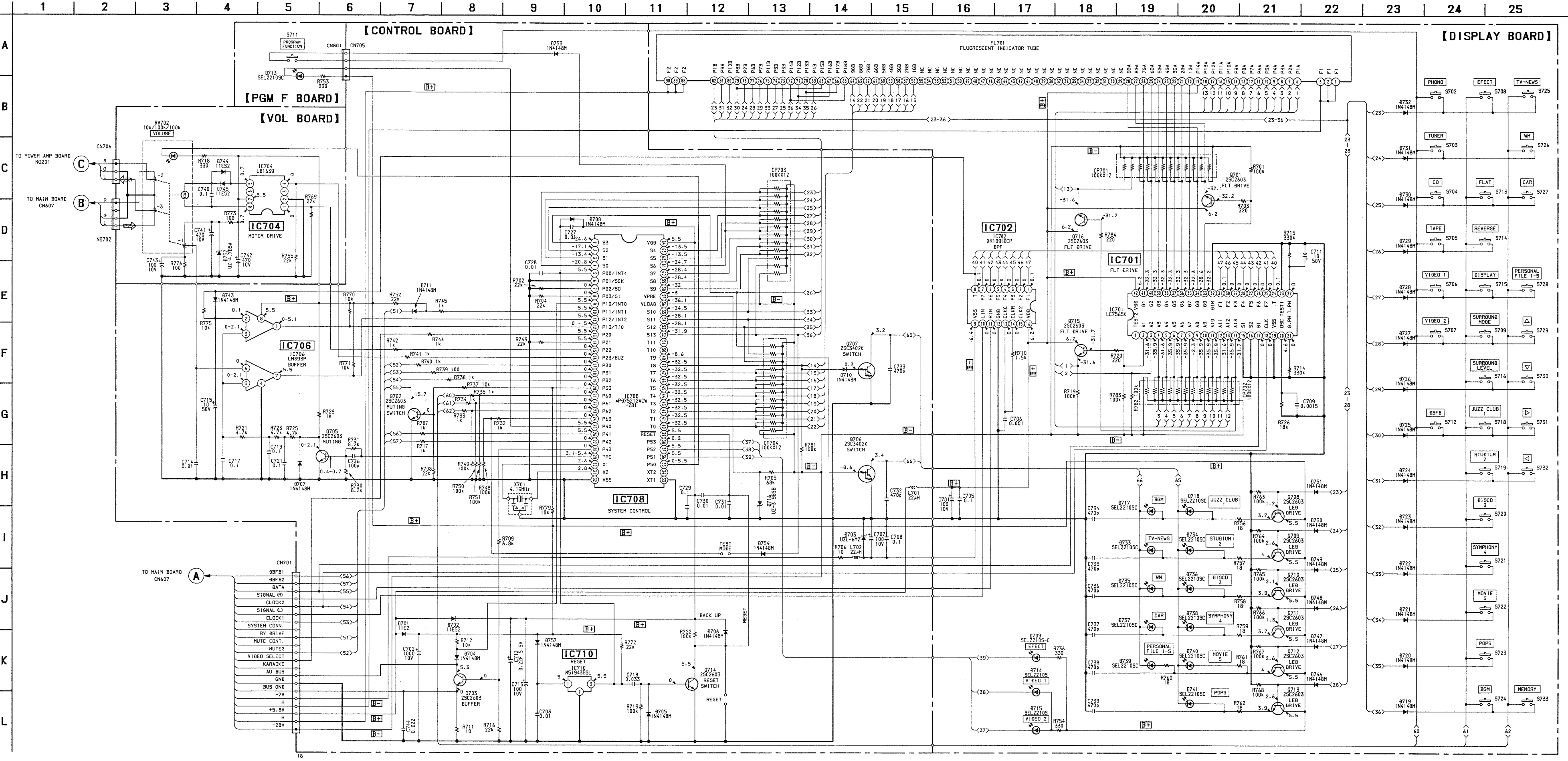
Note:

- All capacitors are in μF unless otherwise noted. pF: $\mu F F$
- 5 0 W V or less are not indicated except for electrolytics and tantalums.
- All resistors are in Ω and $\frac{1}{4} W$ or less unless otherwise specified.
- Δ : indicates tolerance.
- \square : nonflammable resistor.
- \square : fusible resistor.
- B+: B+Line
- B-: B-Line
- \square : adjustment for repair.
- Voltage and waveforms are dc with respect to ground under no-signal (detuned) conditions.
- Voltages are taken with a VOM (Input impedance 10 M Ω).
- Voltage variations may be noted due to normal production tolerances.
- Signal path.
- CD
- TV (PICTURE)

G: Germany
IT: Italian
EA: Saudi Arabia
AUS: Australian

Note: The components identified by mark Δ or dotted line with mark Δ are critical for safety. Replace only with part number specified.

2-5. SCHEMATIC DIAGRAM—Control Section—



SECTION 3 EXPLODED VIEWS

NOTE:

- -XX, -X mean standardized parts, so they may have some differences from the original one.
- The mechanical parts with no reference number in the exploded views are not supplied.
- Items marked " * " are not stocked since they are seldom required for routine service. Some delay should be anticipated when ordering these items.
- Color Indication of Appearance Parts

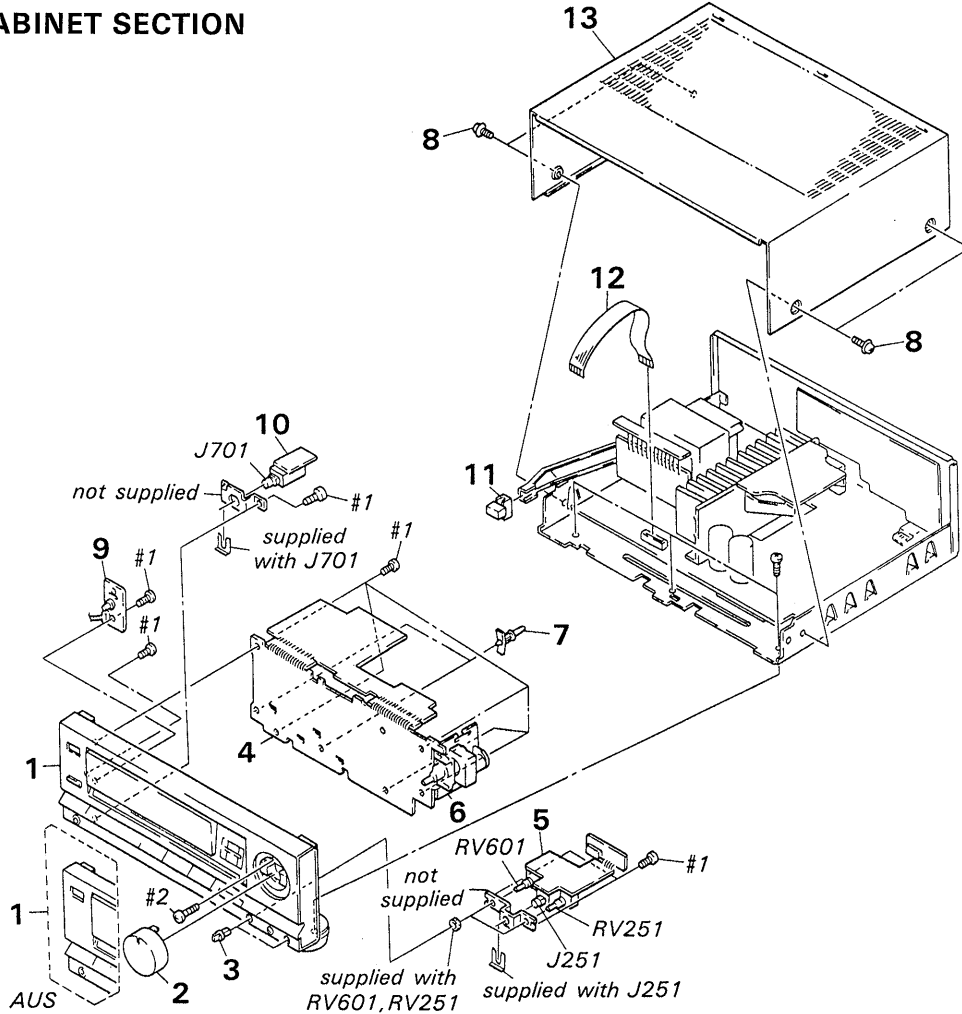
G : Germany
 IT : Italian
 EA : Saudi Arabia
 AUS : Australian

Example:
 KNOB, BALANCE(WHITE)...(WHT)
 ↑ ↑
 Part's Color Cabinet's Color

- Hardware (#mark) list is given in the last of this parts list.

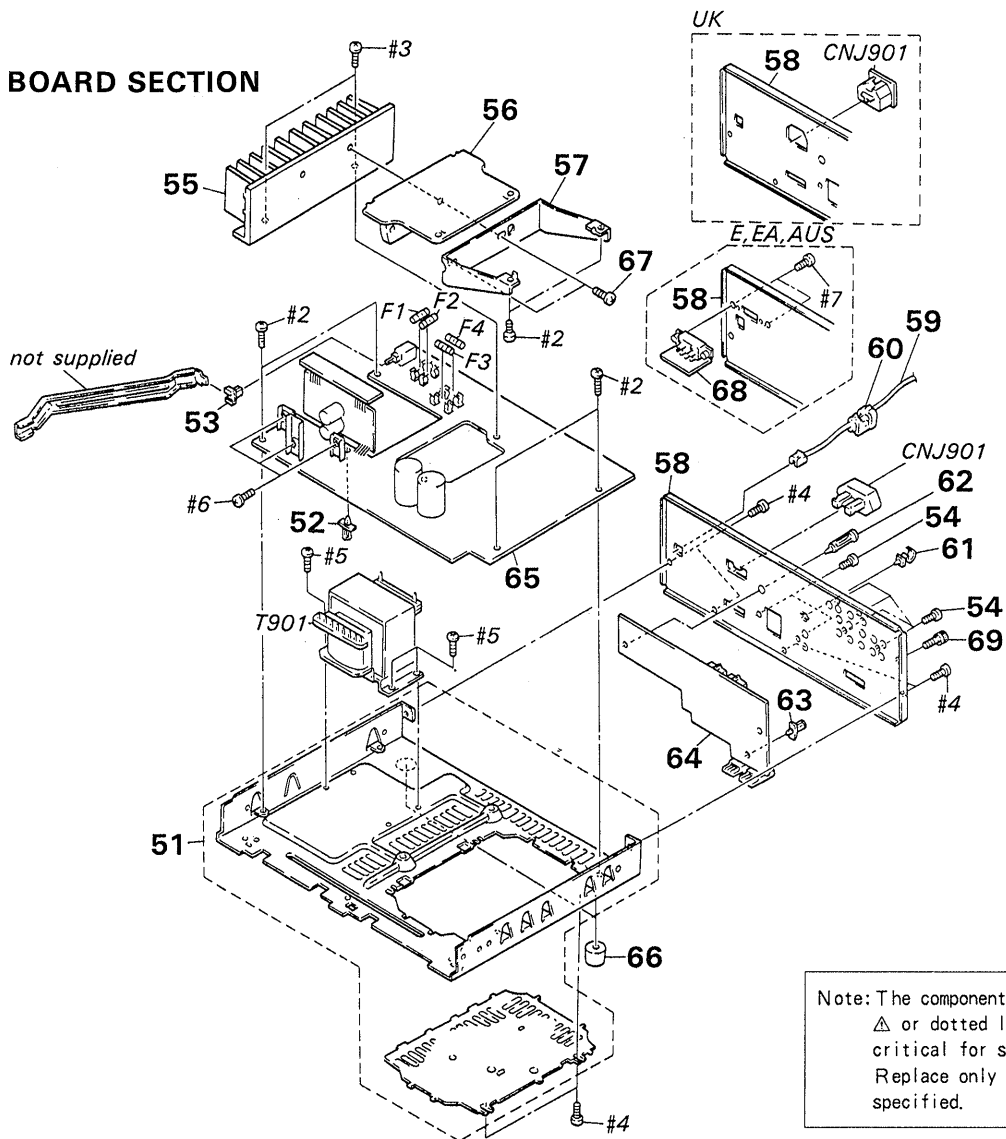
Note: The components identified by mark Δ or dotted line with mark Δ are critical for safety. Replace only with part number specified.

3-1. CABINET SECTION



Ref. No.	Part No.	Description	Remark	Ref. No.	Part No.	Description	Remark
1	X-4941-451-1	PANEL ASSY. FRONT (IT)		9	* 1-638-651-11	PGM. F BOARD (EXCEPT AUS)	
1	X-4941-449-1	PANEL ASSY. FRONT (AUS)		10	* 1-638-650-11	HP BOARD	
1	X-4941-452-1	PANEL ASSY. FRONT (AEP, G, UK, E, EA)		11	4-942-061-01	BUTTON (P)	
2	X-4941-136-1	KNOB ASSY. ROUND		12	1-590-243-11	WIRE, FLAT TYPE (21 CORE)	
3	4-922-531-11	KNOB (A TYPE). VOL		13	* 4-939-803-91	CASE (AEP, G, IT, UK, E, EA, AUS)	
4	* A-4341-692-A	PANEL BOARD, COMPLETE (AEP, G, IT, UK, E, EA)		J251	1-507-854-00	JACK, LARGE TYPE (MIC)	
4	* A-4341-704-A	PANEL BOARD, COMPLETE (AUS)		J701	1-507-854-00	JACK, LARGE TYPE (HEADPHONES)	
5	* 1-638-649-11	MIC BAL BOARD		RV251	1-241-317-11	RES, VAR, CARBON 50K (MIC LEVEL)	
6	* 1-638-648-11	VOL BOARD		RV601	1-241-318-11	RES, VAR, CARBON 100K (BALANCE)	
7	* 4-924-098-01	HOLDER, PC BOARD					
8	3-363-099-01	SCREW (CASE #3X8 TP2)					

3-2. MAIN BOARD SECTION



Ref. No.	Part No.	Description	Remark	Ref. No.	Part No.	Description	Remark
51	* X-4917-246-1	CHASSIS ASSY		61	* 3-646-086-11	HOLDER, ROD	
52	4-944-316-11	HOLDER, PC BOARD		62	* 4-912-181-21	SUPPORT, PC	
53	4-866-342-00	JOINT (B), KNOB		63	* 3-349-025-31	HOLDER, PC BOARD	
54	4-909-982-31	SCREW, TAPPING		64	* A-4341-693-A	PIN JACK BOARD, COMPLETE	(AEP, UK, E. EA, AUS)
55	* 4-943-905-01	HEAT SINK		64	* A-4341-700-A	PIN JACK BOARD, COMPLETE	(G, IT)
56	* A-4341-699-A	POWER AMP BOARD, COMPLETE	(AEP, UK)	65	* A-4341-698-A	MAIN BOARD, COMPLETE	(AEP)
56	* A-4341-706-A	POWER AMP BOARD, COMPLETE	(E. EA, AUS)	65	* A-4341-701-A	MAIN BOARD, COMPLETE	(G, IT)
56	* A-4341-702-A	POWER AMP BOARD, COMPLETE	(G, IT)	65	* A-4341-703-A	MAIN BOARD, COMPLETE	(UK)
57	* 4-943-903-01	BRACKET		65	* A-4341-705-A	MAIN BOARD, COMPLETE	(AUS)
58	* 4-943-906-21	PANEL (B3120), BACK (G)		65	* A-4341-796-A	MAIN BOARD, COMPLETE	(E. EA)
58	* 4-943-906-31	PANEL (B3120), BACK (UK)		66	4-931-169-01	FOOT	
58	* 4-943-906-51	PANEL (B3120), BACK (E)		67	4-928-635-11	SCREW, +BV (2.6X16) TAPPING	
58	* 4-943-906-61	PANEL (B3120), BACK (EA)		68	* 1-639-252-11	VOLTAGE SELECTOR BOARD	(E. EA, AUS)
58	* 4-943-906-71	PANEL (B3120), BACK (IT)		69	3-706-165-00	SCREW	
58	* 4-943-906-81	PANEL (B3120), BACK (AUS)		CNJ901	Δ 1-526-882-00	OUTLET, AC	(E)
58	* 4-943-906-11	PANEL (B3120), BACK (AEP)		CNJ901	Δ 1-526-751-11	OUTLET, AC	(UK)
59	Δ 1-575-654-11	CORD, POWER	(AEP, G, IT, EA)	CNJ901	Δ 1-526-794-11	OUTLET, AC	(AEP, G, IT, EA, AUS)
59	Δ 1-575-656-11	CORD, POWER	(E, AUS)	F1	Δ 1-532-259-00	FUSE T1.6A	
59	Δ 1-575-669-21	CORD, POWER	(UK)	F2	Δ 1-532-259-00	FUSE T1.6A	
60	* 3-703-571-11	BUSHING (S) (4516), CORD	(E, EA, AUS)	F3	Δ 1-532-388-51	FUSE T2A	
60	* 3-703-244-00	BUSHING (2104), CORD	(AEP, G, IT, UK)	F4	Δ 1-532-388-51	FUSE T2A	
				T901	Δ 1-450-422-11	TRANSFORMER, POWER	(E, EA, AUS)
				T901	Δ 1-450-423-11	TRANSFORMER, POWER	(AEP, G, IT, UK)

SECTION 4 ELECTRICAL PARTS LIST

MAIN

POWER AMP

VOLTAGE SELECTOR

NOTE:

- Due to standardization, replacements in the parts list may be different from the parts specified in the diagrams or the components used on the set.
- Items marked "*" are not stocked since they are seldom required for routine service. Some delay should be anticipated when ordering these items.
- -XX, -X mean standardized parts, so they may have some differences from the original one.
- RESISTORS
All resistors are in ohms

METAL: Metal-film resistor
 METAL OXIDE: Metal Oxide-film resistor
 F: nonflammable

- SEMICONDUCTORS
In each case, u: μ , for example:
 uA...: μ A..., uPA...: μ PA...,
 uPB...: μ PB..., uPC...: μ PC...,
 uPD...: μ PD...
- CAPACITORS
uF: μ F
- COILS
uH: μ H

G: Germany
 IT: Italian
 EA: Saudi Arabia
 AUS: Australian

Note: The components identified by mark Δ or dotted line with mark Δ are critical for safety.
 Replace only with part number specified.

When indicating parts by reference number, please include the board name.

Ref. No.	Part No.	Description	Remark	Ref. No.	Part No.	Description	Remark
	* A-4341-698-A	MAIN BOARD, COMPLETE (AEP)		C406	1-161-379-00	CERAMIC	0.01uF 20% 25V
	* A-4341-701-A	MAIN BOARD, COMPLETE (G, IT)		C407	1-124-994-11	ELECT	100uF 20% 10V
	* A-4341-703-A	MAIN BOARD, COMPLETE (UK)		C408	1-161-379-00	CERAMIC	0.01uF 20% 25V
	* A-4341-796-A	MAIN BOARD, COMPLETE (E, EA)		C409	1-136-166-00	FILM	0.12uF 5% 50V
		*****		C410	1-136-175-00	FILM	0.68uF 5% 50V
	* A-4341-699-A	POWER AMP BOARD, COMPLETE (AEP, UK)		C411	1-136-160-00	FILM	0.039uF 5% 50V
	* A-4341-702-A	POWER AMP BOARD, COMPLETE (G, IT)		C412	1-136-171-00	FILM	0.33uF 5% 50V
	* A-4341-706-A	POWER AMP BOARD, COMPLETE (E, EA, AUS)		C413	1-136-155-00	FILM	0.015uF 5% 50V
		*****		C414	1-136-166-00	FILM	0.12uF 5% 50V
	* 1-639-252-11	VOLTAGE SELECTOR BOARD (E, EA, AUS)		C415	1-130-480-00	MYLAR	0.0056uF 5% 50V
		*****		C416	1-136-161-00	FILM	0.047uF 5% 50V
	* 1-533-213-31	HOLDER, FUSE		C417	1-106-353-00	MYLAR	0.0027uF 5% 50V
	* 1-533-213-31	HOLDER, FUSE		C418	1-136-156-00	FILM	0.018uF 5% 50V
	* 3-309-144-21	HEAT SINK		C419	1-106-343-00	MYLAR	1000PF 5% 200V
	* 4-942-204-01	PLATE, GROUND		C420	1-130-482-00	MYLAR	0.0082uF 5% 50V
	7-682-548-04	SCREW +BVT 3X8 (S)		C421	1-164-080-11	CERAMIC	390PF 10% 50V
		< CAPACITOR >		C422	1-130-477-00	MYLAR	0.0033uF 5% 50V
C1	Δ 1-161-744-00	CERAMIC	0.01uF 400V	C423	1-161-379-00	CERAMIC	0.01uF 20% 25V
C121	1-124-994-11	ELECT	100uF 20% 10V	C424	1-161-379-00	CERAMIC	0.01uF 20% 25V
C260	1-136-161-00	FILM	0.047uF 5% 50V	C425	1-161-379-00	CERAMIC	0.01uF 20% 25V
C301	1-126-163-11	ELECT	0.68uF 20% 50V	C426	1-161-379-00	CERAMIC	0.01uF 20% 25V
C302	1-164-073-11	CERAMIC	100PF 10% 50V	C427	1-162-282-31	CERAMIC	100PF 10% 50V
C303	1-126-163-11	ELECT	0.68uF 20% 50V	C428	1-162-282-31	CERAMIC	100PF 10% 50V
C304	1-126-163-11	ELECT	0.68uF 20% 50V	C451	1-126-163-11	ELECT	0.68uF 20% 50V
C305	1-136-156-00	FILM	0.018uF 5% 50V	C453	1-164-077-11	CERAMIC	220PF 10% 50V
C306	1-164-073-11	CERAMIC	100PF 10% 50V	C454	1-126-163-11	ELECT	0.68uF 20% 50V
C307	1-126-163-11	ELECT	0.68uF 20% 50V	C455	1-126-022-11	ELECT	47uF 20% 16V
C351	1-124-994-11	ELECT	100uF 20% 10V	C459	1-136-166-00	FILM	0.12uF 5% 50V
C352	1-162-294-31	CERAMIC	0.001uF 10% 50V	C460	1-136-175-00	FILM	0.68uF 5% 50V
C401	1-126-163-11	ELECT	0.68uF 20% 50V	C461	1-136-160-00	FILM	0.039uF 5% 50V
C403	1-164-077-11	CERAMIC	220PF 10% 50V				
C404	1-126-163-11	ELECT	0.68uF 20% 50V				

MAIN

POWER AMP

VOLTAGE SELECTOR

Ref. No.	Part No.	Description	Remark		
C462	1-136-171-00	FILM	0.33uF	5%	50V
C463	1-136-155-00	FILM	0.015uF	5%	50V
C464	1-136-166-00	FILM	0.12uF	5%	50V
C465	1-130-480-00	MYLAR	0.0056uF	5%	50V
C466	1-136-161-00	FILM	0.047uF	5%	50V
C467	1-106-353-00	MYLAR	0.0027uF	5%	50V
C468	1-136-156-00	FILM	0.018uF	5%	50V
C469	1-106-343-00	MYLAR	1000PF	5%	200V
C470	1-130-482-00	MYLAR	0.0082uF	5%	50V
C471	1-164-080-11	CERAMIC	390PF	10%	50V
C472	1-130-477-00	MYLAR	0.0033uF	5%	50V
C501	1-164-073-11	CERAMIC	100PF	10%	50V
C502	1-164-066-11	CERAMIC	68PF	5%	50V
C503	1-136-158-00	FILM	0.027uF	5%	50V
C504	1-126-301-11	ELECT	1uF	20%	50V
C505	1-126-059-11	ELECT	10uF	20%	50V
C506	1-124-994-11	ELECT	100uF	20%	10V
C507	1-126-161-11	ELECT	2.2uF	20%	50V
C508	1-124-910-11	ELECT	47uF	20%	50V
C510	1-126-163-11	ELECT	0.68uF	20%	50V
C551	1-164-073-11	CERAMIC	100PF	10%	50V
C552	1-164-066-11	CERAMIC	68PF	5%	50V
C553	1-136-158-00	FILM	0.027uF	5%	50V
C554	1-126-301-11	ELECT	1uF	20%	50V
C555	1-126-059-11	ELECT	10uF	20%	50V
C556	1-124-994-11	ELECT	100uF	20%	10V
C557	1-126-161-11	ELECT	2.2uF	20%	50V
C558	1-124-910-11	ELECT	47uF	20%	50V
C559	1-124-994-11	ELECT	100uF	20%	10V
C560	1-126-163-11	ELECT	0.68uF	20%	50V
C601	1-126-233-11	ELECT	22uF	20%	50V
C602	1-110-335-11	MYLAR	100PF	5%	50V
C603	1-126-101-11	ELECT	100uF	20%	16V
C604	1-110-339-11	MYLAR	220PF	5%	50V
C606	1-124-910-11	ELECT	47uF	20%	50V
C607	1-124-122-11	ELECT	100uF	20%	50V (AEP, G, IT, UK)
C607	1-124-572-11	ELECT	100uF	20%	63V (E, EA)
C608	1-124-122-11	ELECT	100uF	20%	50V (AEP, G, IT, UK)
C608	1-124-572-11	ELECT	100uF	20%	63V (E, EA)
C609	1-124-916-11	ELECT	22uF	20%	63V (E, EA)
C609	1-126-233-11	ELECT	22uF	20%	50V (AEP, G, IT, UK)
C610	1-136-163-00	FILM	0.068uF	5%	50V
C611	1-136-163-00	FILM	0.068uF	5%	50V
C613	1-124-994-11	ELECT	100uF	20%	10V
C614	1-124-587-11	ELECT	220uF	20%	6.3V
C615	1-124-587-11	ELECT	220uF	20%	6.3V

Ref. No.	Part No.	Description	Remark		
C616	1-124-916-11	ELECT	22uF	20%	63V (E, EA)
C616	1-126-233-11	ELECT	22uF	20%	50V (AEP, G, IT, UK)
C621	1-136-163-00	FILM	0.068uF	5%	50V (G, IT)
C622	1-136-163-00	FILM	0.068uF	5%	50V (G, IT)
C623	1-161-379-00	CERAMIC	0.01uF	30%	25V (G, IT)
C624	1-106-359-00	MYLAR	0.0047uF	5%	50V (G, IT)
C627	1-136-157-00	FILM	0.022uF	5%	50V (G, IT)
C651	1-126-233-11	ELECT	22uF	20%	50V
C652	1-110-335-11	MYLAR	100PF	5%	50V
C653	1-126-101-11	ELECT	100uF	20%	16V
C654	1-110-339-11	MYLAR	220PF	5%	50V
C656	1-124-910-11	ELECT	47uF	20%	50V
C660	1-136-163-00	FILM	0.068uF	5%	50V
C661	1-136-163-00	FILM	0.068uF	5%	50V
C666	1-124-916-11	ELECT	22uF	20%	63V (E, EA)
C666	1-126-233-11	ELECT	22uF	20%	50V (AEP, G, IT, UK)
C675	1-161-021-11	CERAMIC	0.047uF	10%	25V
C676	1-161-021-11	CERAMIC	0.047uF	10%	25V
C671	1-136-163-00	FILM	0.068uF	5%	50V (G, IT)
C672	1-136-163-00	FILM	0.068uF	5%	50V (G, IT)
C673	1-161-379-00	CERAMIC	0.01uF	30%	25V (G, IT)
C801	1-126-059-11	ELECT	10uF	20%	50V
C802	1-124-473-11	ELECT	1000uF	20%	10V
C803	1-126-059-11	ELECT	10uF	20%	50V
C804	1-126-059-11	ELECT	10uF	20%	50V
C805	1-124-994-11	ELECT	100uF	20%	10V
C806	1-124-994-11	ELECT	100uF	20%	10V
C808	1-126-059-11	ELECT	10uF	20%	50V
C809	1-126-059-11	ELECT	10uF	20%	50V
C810	1-126-162-11	ELECT	3.3uF	20%	50V
C811	1-126-224-11	ELECT	4700uF	20%	42V (AEP, G, IT, UK)
C811	1-126-258-11	ELECT	4700uF	20%	56V (E, EA)
C812	1-126-224-11	ELECT	4700uF	20%	42V (AEP, G, IT, UK)
C812	1-126-258-11	ELECT	4700uF	20%	56V (E, EA)
C813	1-124-887-00	ELECT	3300uF	20%	16V
C814	1-124-887-00	ELECT	3300uF	20%	16V
C815	1-124-910-11	ELECT	47uF	20%	50V
C818	1-161-021-11	CERAMIC	0.047uF	10%	25V
C819	1-161-021-11	CERAMIC	0.047uF	10%	25V
C821	1-102-394-11	CERAMIC	0.01uF		250V
C822	1-124-910-11	ELECT	47uF	20%	50V (AEP, G, IT, UK)
C822	1-126-867-11	ELECT	33uF	20%	50V (E, EA)

MAIN

POWER AMP

VOLTAGE SELECTOR

Ref. No.	Part No.	Description	Remark
C823	1-161-021-11	CERAMIC 0.047uF 10% 25V (AEP, E, EA, UK)	
C824	1-106-359-00	MYLAR 0.0047uF 5% 50V (G, IT)	
C825	1-106-359-00	MYLAR 0.0047uF 5% 50V (G, IT)	
C826	1-161-494-00	CERAMIC 0.022uF 30% 25V (G, IT)	
C922	1-161-021-11	CERAMIC 0.047uF 10% 25V (UK)	
C923	1-161-021-11	CERAMIC 0.047uF 10% 25V (UK)	
C924	1-126-022-11	ELECT 47uF 20% 16V (UK)	
< CONNECTOR >			
CN1	* 1-564-321-00	PIN, CONNECTOR 2P	
CN2	* 1-535-141-00	BASE POST 22MM (10MM PITCH) 4P	
CN101	* 1-566-858-41	SOCKET, CONNECTOR 11P	
CN401	1-568-321-11	SOCKET, CONNECTOR 10P	
CN402	1-568-321-11	SOCKET, CONNECTOR 10P	
CN403	* 1-565-344-11	PIN, CONNECTOR (PC BOARD) 8P	
CN501	1-568-838-11	SOCKET, CONNECTOR 21P	
CN605	* 1-564-520-11	PLUG, CONNECTOR 5P	
CN606	* 1-564-519-11	PLUG, CONNECTOR 4P	
CN607	* 1-564-506-11	PLUG, CONNECTOR 3P	
CN801	* 1-566-859-11	SOCKET, CONNECTOR 15P	
CN802	* 1-564-358-00	PIN, CONNECTOR 3P	
< DIODE >			
D101	8-719-200-82	DIODE 11ES2	
D102	8-719-200-82	DIODE 11ES2	
D302	8-719-912-20	DIODE 1SS120	
D303	8-719-912-20	DIODE 1SS120	
D304	8-719-912-20	DIODE 1SS120	
D305	8-719-912-20	DIODE 1SS120	
D351	8-719-912-20	DIODE 1SS120	
D352	8-719-912-20	DIODE 1SS120	
D402	8-719-000-54	DIODE UZL-6L3	
D501	8-719-001-88	DIODE UZL-15L	
D502	8-719-912-20	DIODE 1SS120	
D503	8-719-912-20	DIODE 1SS120	
D504	8-719-912-20	DIODE 1SS120	
D505	8-719-912-20	DIODE 1SS120	
D506	8-719-912-20	DIODE 1SS120	
D507	8-719-912-20	DIODE 1SS120	
D551	8-719-001-88	DIODE UZL-15L	
D601	8-719-815-85	DIODE 1S1585	
D602	8-719-912-20	DIODE 1SS120	
D604	8-719-815-85	DIODE 1S1585	
D605	8-719-815-85	DIODE 1S1585	
D651	8-719-815-85	DIODE 1S1585	
D801	8-719-912-20	DIODE 1SS120	
D802	8-719-200-77	DIODE 10E2N	
D803	8-719-200-77	DIODE 10E2N	

Ref. No.	Part No.	Description	Remark
D804	8-719-912-20	DIODE 1SS120	
D805	8-719-302-38	DIODE RBV-602-01	
D806	8-719-200-77	DIODE 10E2N	
D807	8-719-200-77	DIODE 10E2N	
D808	8-719-014-90	DIODE UZP-7.5B	
D809	8-719-002-70	DIODE UZL-36L	
D810	8-719-200-77	DIODE 10E2N	
D811	8-719-200-77	DIODE 10E2N	
D812	8-719-912-20	DIODE 1SS120	
D813	8-719-912-20	DIODE 1SS120	
D815	8-719-200-82	DIODE 11ES2	
D818	8-719-200-82	DIODE 11ES2 (UK)	
D819	8-719-000-81	DIODE UZL-7L3	
< IC >			
IC121	8-759-000-48	IC MC14052BCP	
IC301	8-759-000-49	IC MC14066BCP	
IC302	8-759-634-50	IC M5218AL	
IC351	8-759-921-22	IC SN74HC164N	
IC401	8-759-822-26	IC LC7522K	
IC402	8-759-633-78	IC M5289P	
IC452	8-759-633-78	IC M5289P	
IC501	8-759-634-50	IC M5218AL	
IC601	8-749-900-78	IC STK4192MK2 (E, EA)	
IC601	8-749-920-09	IC STK4152MK2K (AEP, G, IT, UK)	
IC602	8-759-111-68	IC uPC1237HA	
IC801	8-759-604-86	IC M5F7807L	
IC802	8-759-604-90	IC M5F7907L	
ICP803	1-532-845-21	LINK, IC	
ICP804	1-532-845-21	LINK, IC	
< JACK >			
J601	1-565-352-21	JACK, PIN 2P (SURROUND SPEAKER)	
< COIL >			
L601	* 1-420-872-00	COIL, AIR CORE	
L651	* 1-420-872-00	COIL, AIR CORE	
< TRANSISTOR >			
Q301	8-729-900-63	TRANSISTOR DTA124ES	
Q303	8-729-900-80	TRANSISTOR DTC114ES	
Q304	8-729-900-63	TRANSISTOR DTA124ES	
Q305	8-729-141-26	TRANSISTOR 2SC3622A-LK	
Q306	8-729-141-26	TRANSISTOR 2SC3622A-LK	
Q307	8-729-141-26	TRANSISTOR 2SC3622A-LK	
Q308	8-729-141-26	TRANSISTOR 2SC3622A-LK	
Q309	8-729-900-63	TRANSISTOR DTA124ES	

MAIN

POWER AMP

VOLTAGE SELECTOR

Ref. No.	Part No.	Description	Remark
Q310	8-729-900-63	TRANSISTOR DTA124ES	
Q502	8-729-119-79	TRANSISTOR 2SC2785-FEK	
Q503	8-729-141-26	TRANSISTOR 2SC3622A-LK	
Q505	8-729-900-63	TRANSISTOR DTA124ES	
Q506	8-729-900-63	TRANSISTOR DTA124ES	
Q508	8-729-201-56	TRANSISTOR 2SK246-GR2	
Q509	8-729-201-56	TRANSISTOR 2SK246-GR2	
Q552	8-729-119-79	TRANSISTOR 2SC2785-FEK	
Q553	8-729-141-26	TRANSISTOR 2SC3622A-LK	
Q558	8-729-201-56	TRANSISTOR 2SK246-GR2	
Q559	8-729-201-56	TRANSISTOR 2SK246-GR2	
Q601	8-729-140-84	TRANSISTOR 2SC1841-PAFAEA	
Q602	8-729-900-63	TRANSISTOR DTA124ES	
Q651	8-729-140-84	TRANSISTOR 2SC1841-PAFAEA	
Q704	8-729-119-76	TRANSISTOR 2SA1175-HFE	
Q801	8-729-111-67	TRANSISTOR 2SB1094-L	
< RESISTOR >			
R117	1-249-405-11	CARBON 100 5% 1/4W	
R118	1-249-405-11	CARBON 100 5% 1/4W	
R122	1-249-409-11	CARBON 220 5% 1/4W	
R123	1-249-405-11	CARBON 100 5% 1/4W	
R124	1-249-409-11	CARBON 220 5% 1/4W	
R136	1-249-413-11	CARBON 470 5% 1/4W	
R137	1-249-405-11	CARBON 100 5% 1/4W	
R167	1-249-405-11	CARBON 100 5% 1/4W	
R168	1-249-405-11	CARBON 100 5% 1/4W	
R172	1-249-409-11	CARBON 220 5% 1/4W	
R173	1-249-405-11	CARBON 100 5% 1/4W	
R174	1-249-409-11	CARBON 220 5% 1/4W	
R186	1-249-413-11	CARBON 470 5% 1/4W	
R187	1-249-405-11	CARBON 100 5% 1/4W	
R301	1-249-429-11	CARBON 10K 5% 1/4W	
R302	1-249-419-11	CARBON 1.5K 5% 1/4W	
R303	1-249-417-11	CARBON 1K 5% 1/4W	
R304	1-249-412-11	CARBON 390 5% 1/4W	
R305	1-249-429-11	CARBON 10K 5% 1/4W	
R306	1-249-433-11	CARBON 22K 5% 1/4W	
R307	1-249-433-11	CARBON 22K 5% 1/4W	
R308	1-249-433-11	CARBON 22K 5% 1/4W	
R309	1-249-421-11	CARBON 2.2K 5% 1/4W	
R310	1-249-421-11	CARBON 2.2K 5% 1/4W	
R311	1-249-430-11	CARBON 12K 5% 1/4W	
R312	1-249-430-11	CARBON 12K 5% 1/4W	
R313	1-249-421-11	CARBON 2.2K 5% 1/4W	
R314	1-249-421-11	CARBON 2.2K 5% 1/4W	
R315	1-249-435-11	CARBON 33K 5% 1/4W	
R316	1-249-421-11	CARBON 2.2K 5% 1/4W	

Ref. No.	Part No.	Description	Remark
R318	1-249-433-11	CARBON 22K 5% 1/4W	
R319	1-249-429-11	CARBON 10K 5% 1/4W	
R320	1-249-419-11	CARBON 1.5K 5% 1/4W	
R321	1-249-417-11	CARBON 1K 5% 1/4W	
R322	1-249-412-11	CARBON 390 5% 1/4W	
R323	1-249-435-11	CARBON 33K 5% 1/4W	
R324	1-249-433-11	CARBON 22K 5% 1/4W	
R325	1-249-433-11	CARBON 22K 5% 1/4W	
R326	1-249-425-11	CARBON 4.7K 5% 1/4W	
R327	1-249-425-11	CARBON 4.7K 5% 1/4W	
R351	1-249-417-11	CARBON 1K 5% 1/4W	
R352	1-249-405-11	CARBON 100 5% 1/4W	
R353	1-249-417-11	CARBON 1K 5% 1/4W	
R354	1-249-417-11	CARBON 1K 5% 1/4W	
R401	1-247-887-00	CARBON 220K 5% 1/4W	
R402	1-249-427-11	CARBON 6.8K 5% 1/4W	
R404	1-249-408-11	CARBON 180 5% 1/4W	
R407	1-249-427-11	CARBON 6.8K 5% 1/4W	
R413	1-247-903-00	CARBON 1M 5% 1/4W	
R414	1-247-903-00	CARBON 1M 5% 1/4W	
R415	1-247-903-00	CARBON 1M 5% 1/4W	
R416	1-247-903-00	CARBON 1M 5% 1/4W	
R417	1-247-903-00	CARBON 1M 5% 1/4W	
R418	1-247-903-00	CARBON 1M 5% 1/4W	
R419	1-247-903-00	CARBON 1M 5% 1/4W	
R420	1-249-417-11	CARBON 1K 5% 1/4W	
R421	1-249-417-11	CARBON 1K 5% 1/4W	
R423	1-249-435-11	CARBON 33K 5% 1/4W	
R424	1-249-426-11	CARBON 5.6K 5% 1/4W	
R451	1-247-887-00	CARBON 220K 5% 1/4W	
R452	1-249-427-11	CARBON 6.8K 5% 1/4W	
R457	1-249-427-11	CARBON 6.8K 5% 1/4W	
R463	1-247-903-00	CARBON 1M 5% 1/4W	
R464	1-247-903-00	CARBON 1M 5% 1/4W	
R465	1-247-903-00	CARBON 1M 5% 1/4W	
R466	1-247-903-00	CARBON 1M 5% 1/4W	
R467	1-247-903-00	CARBON 1M 5% 1/4W	
R468	1-247-903-00	CARBON 1M 5% 1/4W	
R469	1-247-903-00	CARBON 1M 5% 1/4W	
R473	1-249-435-11	CARBON 33K 5% 1/4W	
R474	1-249-426-11	CARBON 5.6K 5% 1/4W	
R501	1-249-421-11	CARBON 2.2K 5% 1/4W	
R502	1-249-429-11	CARBON 10K 5% 1/4W	
R503	1-249-431-11	CARBON 15K 5% 1/4W	
R505	1-249-417-11	CARBON 1K 5% 1/4W	
R506	1-247-891-00	CARBON 330K 5% 1/4W	
R507	1-249-427-11	CARBON 6.8K 5% 1/4W	
R508	1-249-412-11	CARBON 390 5% 1/4W	
R509	1-249-429-11	CARBON 10K 5% 1/4W	

MAIN

POWER AMP

VOLTAGE SELECTOR

The components identified by mark Δ or dotted line with mark Δ are critical for safety. Replace only with part number specified.

Ref. No.	Part No.	Description	Remark	Ref. No.	Part No.	Description	Remark
R510	1-249-425-11	CARBON 4.7K	5% 1/4W	R612	1-249-389-11	CARBON 4.7	5% 1/4W
R511	1-249-421-11	CARBON 2.2K	5% 1/4W	R613	1-249-417-11	CARBON 1K	5% 1/4W
R512	1-249-420-11	CARBON 1.8K	5% 1/4W	R614	1-249-431-11	CARBON 15K	5% 1/4W
R515	1-249-409-11	CARBON 220	5% 1/4W	R615	1-249-441-11	CARBON 100K	5% 1/4W
R516	1-249-433-11	CARBON 22K	5% 1/4W	R616	1-249-438-11	CARBON 56K	5% 1/4W
R517	1-249-433-11	CARBON 22K	5% 1/4W				
R518	1-249-441-11	CARBON 100K	5% 1/4W	R617	Δ 1-215-891-11	METAL OXIDE 680	5% 2W F (AEP, G, IT, UK)
R519	Δ 1-215-917-11	METAL OXIDE 1K	5% 3W F	R617	Δ 1-215-892-11	METAL OXIDE 1K	5% 2W F (E, EA)
R521	1-247-895-00	CARBON 470K	5% 1/4W	R619	1-249-437-11	CARBON 47K	5% 1/4W
R522	1-247-895-00	CARBON 470K	5% 1/4W	R620	1-249-441-11	CARBON 100K	5% 1/4W
R527	1-249-429-11	CARBON 10K	5% 1/4W	R621	1-249-429-11	CARBON 10K	5% 1/4W
R531	1-249-425-11	CARBON 4.7K	5% 1/4W	R622	1-249-396-11	CARBON 18	5% 1/6W
R532	1-249-441-11	CARBON 100K	5% 1/4W	R623	1-249-396-11	CARBON 18	5% 1/6W
R533	1-249-441-11	CARBON 100K	5% 1/4W	R625	1-247-727-11	CARBON 10	5% 1/2W (G, IT)
R535	1-249-409-11	CARBON 220	5% 1/4W	R632	1-249-389-11	CARBON 4.7	5% 1/4W
R551	1-249-421-11	CARBON 2.2K	5% 1/4W	R636	1-249-427-11	CARBON 6.8K	5% 1/4W
R552	1-249-429-11	CARBON 10K	5% 1/4W	R637	1-249-427-11	CARBON 6.8K	5% 1/4W
R553	1-249-431-11	CARBON 15K	5% 1/4W	R645	1-249-417-11	CARBON 1K	5% 1/4W (AEP, G, IT, UK)
R555	1-249-417-11	CARBON 1K	5% 1/4W	R645	1-249-419-11	CARBON 1.5K	5% 1/4W (E, EA)
R556	1-247-891-00	CARBON 330K	5% 1/4W	R646	1-249-417-11	CARBON 1K	5% 1/4W (AEP, G, IT, UK)
R557	1-249-427-11	CARBON 6.8K	5% 1/4W	R646	1-249-419-11	CARBON 1.5K	5% 1/4W (E, EA)
R558	1-249-412-11	CARBON 390	5% 1/4W	R651	1-249-417-11	CARBON 1K	5% 1/4W
R559	1-249-429-11	CARBON 10K	5% 1/4W	R652	1-249-438-11	CARBON 56K	5% 1/4W
R560	1-249-425-11	CARBON 4.7K	5% 1/4W	R653	1-249-414-11	CARBON 560	5% 1/4W
R561	1-249-421-11	CARBON 2.2K	5% 1/4W	R654	1-249-438-11	CARBON 56K	5% 1/4W
R562	1-249-441-11	CARBON 100K	5% 1/4W	R655	1-249-417-11	CARBON 1K	5% 1/4W (AEP, G, IT, UK)
R563	1-249-405-11	CARBON 100	5% 1/4W	R655	1-249-419-11	CARBON 1.5K	5% 1/4W (E, EA)
R568	1-249-441-11	CARBON 100K	5% 1/4W	R656	1-249-417-11	CARBON 1K	5% 1/4W (AEP, G, IT, UK)
R569	Δ 1-215-917-11	METAL OXIDE 1K	5% 3W F	R656	1-249-419-11	CARBON 1.5K	5% 1/4W (E, EA)
R571	1-247-895-00	CARBON 470K	5% 1/4W	R659	Δ 1-217-156-00	RES, METAL PLATE 0.22	
R572	1-247-895-00	CARBON 470K	5% 1/4W	R660	1-249-413-11	CARBON 470	5% 1/4W
R577	1-249-429-11	CARBON 10K	5% 1/4W	R661	1-249-413-11	CARBON 470	5% 1/4W
R581	1-249-425-11	CARBON 4.7K	5% 1/4W	R662	1-249-389-11	CARBON 4.7	5% 1/4W
R601	1-249-417-11	CARBON 1K	5% 1/4W	R663	1-249-417-11	CARBON 1K	5% 1/4W
R602	1-249-438-11	CARBON 56K	5% 1/4W	R664	1-249-431-11	CARBON 15K	5% 1/4W
R603	1-249-414-11	CARBON 560	5% 1/4W	R665	1-249-441-11	CARBON 100K	5% 1/4W
R604	1-249-438-11	CARBON 56K	5% 1/4W	R666	1-249-437-11	CARBON 47K	5% 1/4W
R605	1-249-417-11	CARBON 1K	5% 1/4W (AEP, G, IT, UK)	R672	1-249-396-11	CARBON 18	5% 1/6W
R605	1-249-419-11	CARBON 1.5K	5% 1/4W (E, EA)	R673	1-249-396-11	CARBON 18	5% 1/6W
R606	1-249-417-11	CARBON 1K	5% 1/4W (AEP, G, IT, UK)	R675	1-247-727-11	CARBON 10	5% 1/2W (G, IT)
R606	1-249-419-11	CARBON 1.5K	5% 1/4W (E, EA)	R682	1-249-389-11	CARBON 4.7	5% 1/4W
R607	Δ 1-212-881-11	FUSIBLE 100	5% 1/4W F	R695	1-249-417-11	CARBON 1K	5% 1/4W (AEP, G, IT, UK)
R608	Δ 1-212-881-11	FUSIBLE 100	5% 1/4W F	R695	1-249-419-11	CARBON 1.5K	5% 1/4W (E, EA)
R609	Δ 1-217-156-00	RES, METAL PLATE 0.22		R696	1-249-417-11	CARBON 1K	5% 1/4W (AEP, G, IT, UK)
R610	1-249-413-11	CARBON 470	5% 1/4W	R696	1-249-419-11	CARBON 1.5K	5% 1/4W (E, EA)
R611	1-249-413-11	CARBON 470	5% 1/4W				

MAIN POWER AMP VOLTAGE SELECTOR

PANEL (DISPLAY/CONTROL) PIN JACK VOL

MIC HP PGM. F

The components identified by mark Δ or dotted line with mark Δ are critical for safety. Replace only with part number specified.

Ref.No.	Part No.	Description	Remark
R801	1-247-761-11	CARBON 5.6K 5% 1/2W	
R802	1-249-428-11	CARBON 8.2K 5% 1/4W	
R803	1-249-428-11	CARBON 8.2K 5% 1/4W	
R804	1-249-421-11	CARBON 2.2K 5% 1/4W	
R881	Δ 1-217-156-00	RES, METAL PLATE 0.22 10% 5W (E, EA)	
R882	Δ 1-217-156-00	RES, METAL PLATE 0.22 10% 5W (E, EA)	
R883	Δ 1-217-156-00	RES, METAL PLATE 0.22 10% 5W (E, EA)	
R884	Δ 1-217-156-00	RES, METAL PLATE 0.22 10% 5W (E, EA)	
< RELAY >			
RY601	1-515-765-11	RELAY	
< SWITCH >			
S1	Δ 1-554-920-51	SWITCH, PUSH (AC POWER) (1 KEY)	
< TERMINAL BOARD >			
TB601	1-537-240-11	TERMINAL BOARD (CHECKER PIN) (SPEAKER)	

* A-4341-692-A PANEL BOARD, COMPLETE (DISPLAY/CONTROL BOARD)			

* A-4341-693-A PIN JACK BOARD, COMPLETE (AEP, UK, E, EA)			
* A-4341-700-A PIN JACK BOARD, COMPLETE (G, IT)			

* 1-638-648-11 VOL BOARD			

* 1-638-649-11 MIC BAL BOARD			

* 1-638-650-11 HP BOARD			

* 1-638-651-11 PGM. F BOARD			

* 3-362-478-01 HOLDER (T), LED			
* 4-921-941-31 CUSHION (FL)			
* 4-921-941-61 CUSHION (FL)			
* 4-942-065-01 HOLDER (EQ), LED			
* 4-942-065-11 HOLDER (EQ), LED			
* 4-942-066-01 HOLDER (EQ), FL			
< CAPACITOR >			
C101	1-126-161-11	ELECT 2.2uF 20% 50V	
C102	1-164-070-11	CERAMIC 100PF 5% 50V	
C103	1-164-066-11	CERAMIC 68PF 5% 50V	
C104	1-126-163-11	ELECT 0.68uF 20% 50V	
C105	1-106-347-00	MYLAR 1500PF 5% 200V	
C106	1-130-480-00	MYLAR 0.0056uF 5% 50V	
C107	1-136-175-00	FILM 0.68uF 5% 50V	
C108	1-124-994-11	ELECT 100uF 20% 10V	

Ref.No.	Part No.	Description	Remark
C111	1-126-163-11	ELECT 0.68uF 20% 50V	
C112	1-126-163-11	ELECT 0.68uF 20% 50V	
C113	1-126-163-11	ELECT 0.68uF 20% 50V	
C141	1-162-286-31	CERAMIC 220PF 10% 50V (G, IT)	
C142	1-162-286-31	CERAMIC 220PF 10% 50V (G, IT)	
C143	1-162-286-31	CERAMIC 220PF 10% 50V (G, IT)	
C144	1-162-286-31	CERAMIC 220PF 10% 50V (G, IT)	
C145	1-162-286-31	CERAMIC 220PF 10% 50V (G, IT)	
C151	1-126-161-11	ELECT 2.2uF 20% 50V	
C152	1-164-070-11	CERAMIC 100PF 5% 50V	
C153	1-164-066-11	CERAMIC 68PF 5% 50V	
C154	1-126-163-11	ELECT 0.68uF 20% 50V	
C155	1-106-347-00	MYLAR 1500PF 5% 200V	
C156	1-130-480-00	MYLAR 0.0056uF 5% 50V	
C157	1-136-175-00	FILM 0.68uF 5% 50V	
C158	1-124-994-11	ELECT 100uF 20% 10V	
C161	1-126-163-11	ELECT 0.68uF 20% 50V	
C162	1-126-163-11	ELECT 0.68uF 20% 50V	
C163	1-126-163-11	ELECT 0.68uF 20% 50V	
C191	1-162-286-31	CERAMIC 220PF 10% 50V (G, IT)	
C192	1-162-286-31	CERAMIC 220PF 10% 50V (G, IT)	
C193	1-162-286-31	CERAMIC 220PF 10% 50V (G, IT)	
C194	1-162-286-31	CERAMIC 220PF 10% 50V (G, IT)	
C195	1-162-286-31	CERAMIC 220PF 10% 50V (G, IT)	
C201	1-126-059-11	ELECT 10uF 20% 50V	
C202	1-126-059-11	ELECT 10uF 20% 50V	
C203	1-124-471-00	ELECT 1000uF 20% 6.3V	
C205	1-124-471-00	ELECT 1000uF 20% 6.3V	
C206	1-124-994-11	ELECT 100uF 20% 10V	
C207	1-161-379-00	CERAMIC 0.01uF 20% 25V	
C208	1-126-161-11	ELECT 2.2uF 20% 50V	
C251	1-136-167-00	FILM 0.15uF 5% 50V	
C252	1-164-073-11	CERAMIC 100PF 10% 50V	
C253	1-164-054-11	CERAMIC 22PF 5% 50V	
C254	1-126-163-11	ELECT 0.68uF 20% 50V	
C255	1-126-163-11	ELECT 0.68uF 20% 50V	
C256	1-164-054-11	CERAMIC 22PF 5% 50V	
C257	1-124-589-11	ELECT 47uF 20% 16V	
C258	1-126-163-11	ELECT 0.68uF 20% 50V	
C259	1-124-589-11	ELECT 47uF 20% 16V	
C701	1-124-994-11	ELECT 100uF 20% 10V	
C702	1-124-473-11	ELECT 1000uF 20% 10V	
C703	1-161-379-00	CERAMIC 0.01uF 20% 25V	
C705	1-164-159-11	CERAMIC 0.1uF 50V	
C706	1-162-294-31	CERAMIC 0.001uF 10% 50V	
C707	1-124-994-11	ELECT 100uF 20% 10V	
C708	1-164-159-11	CERAMIC 0.1uF 50V	
C709	1-161-374-11	CERAMIC 0.0015uF 20% 50V	
C711	1-126-059-11	ELECT 10uF 20% 50V	

PANEL (DISPLAY/CONTROL)

PIN JACK

VOL

MIC

HP

PGM. F

Ref. No.	Part No.	Description	Remark	Ref. No.	Part No.	Description	Remark
C712	1-125-486-11	DUBLE LAYERS	0.22F 5.5V	D704	8-719-912-20	DIODE 1SS120	
C713	1-124-994-11	ELECT	100uF 20% 10V	D705	8-719-912-20	DIODE 1SS120	
C714	1-161-379-00	CERAMIC	0.01uF 20% 25V	D706	8-719-912-20	DIODE 1SS120	
C715	1-126-059-11	ELECT	10uF 20% 50V	D707	8-719-912-20	DIODE 1SS120	
C717	1-136-165-00	FILM	0.1uF 5% 50V	D708	8-719-912-20	DIODE 1SS120	
C718	1-136-159-00	FILM	0.033uF 5% 50V	D709	8-719-301-38	DIODE SEL2210S-C	
C719	1-136-165-00	FILM	0.1uF 5% 50V	D710	8-719-912-20	DIODE 1SS120	
C721	1-136-165-00	FILM	0.1uF 5% 50V	D711	8-719-912-20	DIODE 1SS120	
C726	1-162-282-31	CERAMIC	100PF 10% 50V	D713	8-719-301-38	DIODE SEL2210S-C	
C727	1-161-379-00	CERAMIC	0.01uF 20% 25V	D714	8-719-301-38	DIODE SEL2210S-C	
C728	1-161-379-00	CERAMIC	0.01uF 20% 25V	D715	8-719-301-38	DIODE SEL2210S-C	
C729	1-164-159-11	CERAMIC	0.1uF 50V	D716	8-719-010-26	DIODE UZ-3.98SB	
C730	1-161-379-00	CERAMIC	0.01uF 20% 25V	D717	8-719-301-38	DIODE SEL2210S-C	
C731	1-161-379-00	CERAMIC	0.01uF 20% 25V	D718	8-719-301-38	DIODE SEL2210S-C	
C732	1-162-290-31	CERAMIC	470PF 10% 50V	D719	8-719-912-20	DIODE 1SS120	
C733	1-162-290-31	CERAMIC	470PF 10% 50V	D720	8-719-912-20	DIODE 1SS120	
C734	1-162-290-31	CERAMIC	470PF 10% 50V	D721	8-719-912-20	DIODE 1SS120	
C735	1-162-290-31	CERAMIC	470PF 10% 50V	D722	8-719-912-20	DIODE 1SS120	
C736	1-162-290-31	CERAMIC	470PF 10% 50V	D723	8-719-912-20	DIODE 1SS120	
C737	1-162-290-31	CERAMIC	470PF 10% 50V	D724	8-719-912-20	DIODE 1SS120	
C738	1-162-290-31	CERAMIC	470PF 10% 50V	D725	8-719-912-20	DIODE 1SS120	
C739	1-162-290-31	CERAMIC	470PF 10% 50V	D726	8-719-912-20	DIODE 1SS120	
C740	1-136-165-00	FILM	0.1uF 5% 50V	D727	8-719-912-20	DIODE 1SS120	
C741	1-124-997-11	ELECT	470uF 20% 10V	D728	8-719-912-20	DIODE 1SS120	
C742	1-124-997-11	ELECT	470uF 20% 10V	D729	8-719-912-20	DIODE 1SS120	
C743	1-124-994-11	ELECT	100uF 20% 10V	D730	8-719-912-20	DIODE 1SS120	
C744	1-161-494-00	CERAMIC	0.022uF 25V	D731	8-719-912-20	DIODE 1SS120	
< CONNECTOR >				D732	8-719-912-20	DIODE 1SS120	
CN103	* 1-568-322-21	PLUG, CONNECTOR 10P		D733	8-719-301-38	DIODE SEL2210S-C	
CN104	* 1-568-322-21	PLUG, CONNECTOR 10P		D734	8-719-301-38	DIODE SEL2210S-C	
CN201	* 1-565-347-11	SOCKET, CONNECTOR (PC BOARD) 8P		D735	8-719-301-38	DIODE SEL2210S-C	
CN602	* 1-564-508-11	PLUG, CONNECTOR 5P		D736	8-719-301-38	DIODE SEL2210S-C	
CN701	1-568-838-11	SOCKET, CONNECTOR 21P		D737	8-719-301-38	DIODE SEL2210S-C	
CN705	* 1-564-338-00	PIN, CONNECTOR 4P		D738	8-719-301-38	DIODE SEL2210S-C	
CN706	* 1-564-506-11	PLUG, CONNECTOR 3P		D739	8-719-301-38	DIODE SEL2210S-C	
< COMPOSITION CIRCUIT BLOCK >				D740	8-719-301-38	DIODE SEL2210S-C	
CP701	1-232-882-11	COMPOSITION CIRCUIT BLOCK		D741	8-719-301-38	DIODE SEL2210S-C	
CP702	1-232-882-11	COMPOSITION CIRCUIT BLOCK		D743	8-719-912-20	DIODE 1SS120	
CP703	1-232-882-11	COMPOSITION CIRCUIT BLOCK		D744	8-719-200-82	DIODE 11ES2	
CP704	1-232-882-11	COMPOSITION CIRCUIT BLOCK		D745	8-719-200-82	DIODE 11ES2	
< DIODE >				D746	8-719-912-20	DIODE 1SS120	
D201	8-719-912-20	DIODE 1SS120		D747	8-719-912-20	DIODE 1SS120	
D202	8-719-912-20	DIODE 1SS120		D748	8-719-912-20	DIODE 1SS120	
D701	8-719-200-82	DIODE 11ES2		D749	8-719-912-20	DIODE 1SS120	
D702	8-719-200-82	DIODE 11ES2		D750	8-719-912-20	DIODE 1SS120	
D703	8-719-000-60	DIODE UZL-6M2		D751	8-719-912-20	DIODE 1SS120	
				D752	8-719-010-32	DIODE UZ-4.7BSA	
				D753	8-719-912-20	DIODE 1SS120	

PANEL (DISPLAY/CONTROL)

PIN JACK

VOL

MIC

HP

PGM. F

Ref. No.	Part No.	Description	Remark
D754	8-719-912-20	DIODE 1SS120	
D757	8-719-912-20	DIODE 1SS120	
< FILTER >			
FL701	1-519-666-11	INDICATOR TUBE, FLUORESCENT	
< IC >			
IC101	8-759-634-51	IC M5218AP	
IC122	8-759-000-49	IC MC14066BCP	
IC123	8-759-000-49	IC MC14066BCP	
IC201	8-759-514-76	IC MM1031XS	
IC251	8-759-634-51	IC M5218AP	
IC701	8-759-822-27	IC LC7565K	
IC702	8-759-991-11	IC XR1091DCP	
IC704	8-759-820-62	IC LB1639	
IC706	8-759-987-16	IC LM393P	
IC708	8-759-154-26	IC uPD75212ACW-281	
IC710	8-759-635-63	IC M51943BSL	
< JACK >			
J101	1-565-303-11	JACK, PIN 6P	
J102	1-565-304-11	JACK, PIN 4P	
J201	1-565-934-11	JACK, PIN 2P	
J202	1-565-934-11	JACK, PIN 2P	
J251	1-507-854-00	JACK, PHONE (MIC)	
J701	1-507-854-00	JACK, PHONE (HEADPHONES)	
< COIL >			
L201	1-408-080-00	INDUCTOR 100uH	
L701	1-408-121-00	INDUCTOR 22uH	
L702	1-408-121-00	INDUCTOR 22uH	
< TRANSISTOR >			
Q121	8-729-119-76	TRANSISTOR 2SA1175-HFE	
Q123	8-729-119-76	TRANSISTOR 2SA1175-HFE	
Q124	8-729-900-80	TRANSISTOR DTC114ES	
Q201	8-729-119-77	TRANSISTOR 2SA1175-FEK	
Q202	8-729-119-76	TRANSISTOR 2SA1175-HFE	
Q203	8-729-119-77	TRANSISTOR 2SA1175-FEK	
Q204	8-729-900-63	TRANSISTOR DTA124ES	
Q205	8-729-900-80	TRANSISTOR DTC114ES	
Q206	8-729-900-80	TRANSISTOR DTC114ES	
Q207	8-729-620-05	TRANSISTOR 2SC2603-EF	
Q701	8-729-620-05	TRANSISTOR 2SC2603-EF	
Q702	8-729-620-05	TRANSISTOR 2SC2603-EF	
Q703	8-729-620-05	TRANSISTOR 2SC2603-EF	
Q705	8-729-620-05	TRANSISTOR 2SC2603-EF	
Q706	8-729-900-80	TRANSISTOR DTC114ES	

Ref. No.	Part No.	Description	Remark
Q707	8-729-900-80	TRANSISTOR DTC114ES	
Q708	8-729-620-05	TRANSISTOR 2SC2603-EF	
Q709	8-729-620-05	TRANSISTOR 2SC2603-EF	
Q710	8-729-620-05	TRANSISTOR 2SC2603-EF	
Q711	8-729-620-05	TRANSISTOR 2SC2603-EF	
Q712	8-729-620-05	TRANSISTOR 2SC2603-EF	
Q713	8-729-620-05	TRANSISTOR 2SC2603-EF	
Q714	8-729-620-05	TRANSISTOR 2SC2603-EF	
Q715	8-729-620-05	TRANSISTOR 2SC2603-EF	
Q716	8-729-620-05	TRANSISTOR 2SC2603-EF	
< RESISTOR >			
R101	1-249-417-11	CARBON 1K	5% 1/4W
R102	1-249-437-11	CARBON 47K	5% 1/4W
R103	1-247-897-11	CARBON 560K	5% 1/4W
R104	1-249-415-11	CARBON 680	5% 1/4W
R105	1-249-437-11	CARBON 47K	5% 1/4W
R106	1-247-897-11	CARBON 560K	5% 1/4W
R107	1-249-429-11	CARBON 10K	5% 1/4W
R108	1-249-405-11	CARBON 100	5% 1/4W
R109	1-249-405-11	CARBON 100	5% 1/4W
R110	1-249-413-11	CARBON 470	5% 1/4W
R111	1-249-405-11	CARBON 100	5% 1/4W
R112	1-249-405-11	CARBON 100	5% 1/4W
R113	1-249-433-11	CARBON 22K	5% 1/4W
R114	1-249-433-11	CARBON 22K	5% 1/4W
R115	1-249-433-11	CARBON 22K	5% 1/4W
R116	1-249-433-11	CARBON 22K	5% 1/4W
R121	1-249-417-11	CARBON 1K	5% 1/4W
R125	1-247-887-00	CARBON 220K	5% 1/4W
R126	1-247-887-00	CARBON 220K	5% 1/4W
R127	1-249-417-11	CARBON 1K	5% 1/4W
R128	1-249-417-11	CARBON 1K	5% 1/4W
R129	1-247-887-00	CARBON 220K	5% 1/4W
R132	1-249-433-11	CARBON 22K	5% 1/4W
R133	1-249-433-11	CARBON 22K	5% 1/4W
R140	1-249-413-11	CARBON 470	5% 1/4W
R142	1-249-417-11	CARBON 1K	5% 1/4W (G. 1T)
R143	1-247-887-00	CARBON 220K	5% 1/4W
R151	1-249-417-11	CARBON 1K	5% 1/4W
R152	1-249-437-11	CARBON 47K	5% 1/4W
R153	1-247-897-11	CARBON 560K	5% 1/4W
R154	1-249-415-11	CARBON 680	5% 1/4W
R155	1-249-437-11	CARBON 47K	5% 1/4W
R156	1-247-897-11	CARBON 560K	5% 1/4W
R157	1-249-429-11	CARBON 10K	5% 1/4W
R158	1-249-405-11	CARBON 100	5% 1/4W

PANEL (DISPLAY/CONTROL)

PIN JACK

VOL

MIC

HP

PGM. F

Ref. No.	Part No.	Description	Remark	Ref. No.	Part No.	Description	Remark
R159	1-249-405-11	CARBON 100	5% 1/4W	R704	1-249-433-11	CARBON 22K	5% 1/4W
R160	1-249-413-11	CARBON 470	5% 1/4W	R705	1-249-439-11	CARBON 68K	5% 1/4W
R161	1-249-405-11	CARBON 100	5% 1/4W	R706	1-249-393-11	CARBON 10	5% 1/4W
R162	1-249-405-11	CARBON 100	5% 1/4W	R707	1-249-417-11	CARBON 1K	5% 1/4W
R171	1-249-417-11	CARBON 1K	5% 1/4W	R708	1-249-433-11	CARBON 22K	5% 1/4W
				R709	1-249-427-11	CARBON 6. 8K	5% 1/4W
R175	1-247-887-00	CARBON 220K	5% 1/4W				
R176	1-247-887-00	CARBON 220K	5% 1/4W	R710	1-249-419-11	CARBON 1. 5K	5% 1/4W
R177	1-249-417-11	CARBON 1K	5% 1/4W	R711	1-249-393-11	CARBON 10	5% 1/4W
R178	1-249-417-11	CARBON 1K	5% 1/4W	R712	1-249-429-11	CARBON 10K	5% 1/4W
R179	1-247-887-00	CARBON 220K	5% 1/4W	R713	1-249-441-11	CARBON 100K	5% 1/4W
				R714	1-247-891-00	CARBON 330K	5% 1/4W
R190	1-249-413-11	CARBON 470	5% 1/4W				
R192	1-249-417-11	CARBON 1K	5% 1/4W (G. IT)	R715	1-247-891-00	CARBON 330K	5% 1/4W
R193	1-247-887-00	CARBON 220K	5% 1/4W	R716	1-249-433-11	CARBON 22K	5% 1/4W
R201	1-247-804-11	CARBON 75	5% 1/4W	R717	1-249-417-11	CARBON 1K	5% 1/4W
R202	1-247-804-11	CARBON 75	5% 1/4W	R718	1-249-411-11	CARBON 330	5% 1/4W
				R719	1-249-441-11	CARBON 100K	5% 1/4W
R203	1-249-408-11	CARBON 180	5% 1/4W				
R204	1-249-433-11	CARBON 22K	5% 1/4W	R720	1-249-409-11	CARBON 220	5% 1/4W
R205	1-249-408-11	CARBON 180	5% 1/4W	R721	1-249-425-11	CARBON 4. 7K	5% 1/4W
R206	1-249-408-11	CARBON 180	5% 1/4W	R722	1-249-441-11	CARBON 100K	5% 1/4W
R207	1-249-417-11	CARBON 1K	5% 1/4W	R723	1-249-425-11	CARBON 4. 7K	5% 1/4W
				R725	1-249-425-11	CARBON 4. 7K	5% 1/4W
R208	1-249-408-11	CARBON 180	5% 1/4W				
R209	1-249-429-11	CARBON 10K	5% 1/4W	R726	1-249-432-11	CARBON 18K	5% 1/4W
R210	1-249-433-11	CARBON 22K	5% 1/4W	R729	1-249-417-11	CARBON 1K	5% 1/4W
R211	1-249-429-11	CARBON 10K	5% 1/4W	R730	1-249-428-11	CARBON 8. 2K	5% 1/4W
R212	1-249-403-11	CARBON 68	5% 1/4W	R731	1-249-428-11	CARBON 8. 2K	5% 1/4W
				R732	1-249-417-11	CARBON 1K	5% 1/4W
R213	1-249-433-11	CARBON 22K	5% 1/4W				
R214	1-249-403-11	CARBON 68	5% 1/4W	R733	1-249-417-11	CARBON 1K	5% 1/4W
R215	1-249-426-11	CARBON 5. 6K	5% 1/4W	R734	1-249-417-11	CARBON 1K	5% 1/4W
R216	1-249-433-11	CARBON 22K	5% 1/4W	R735	1-249-417-11	CARBON 1K	5% 1/4W
R217	1-249-433-11	CARBON 22K	5% 1/4W	R736	1-249-411-11	CARBON 330	5% 1/4W
				R737	1-249-429-11	CARBON 10K	5% 1/4W
R251	1-249-441-11	CARBON 100K	5% 1/4W				
R252	1-249-429-11	CARBON 10K	5% 1/4W	R738	1-249-417-11	CARBON 1K	5% 1/4W
R253	1-249-429-11	CARBON 10K	5% 1/4W	R739	1-249-405-11	CARBON 100	5% 1/4W
R254	1-247-901-11	CARBON 820K	5% 1/4W	R740	1-249-417-11	CARBON 1K	5% 1/4W
R255	1-249-441-11	CARBON 100K	5% 1/4W	R741	1-249-417-11	CARBON 1K	5% 1/4W
				R742	1-249-417-11	CARBON 1K	5% 1/4W
R256	1-249-441-11	CARBON 100K	5% 1/4W				
R257	1-247-901-11	CARBON 820K	5% 1/4W	R743	1-249-433-11	CARBON 22K	5% 1/4W
R258	1-249-405-11	CARBON 100	5% 1/4W	R744	1-249-417-11	CARBON 1K	5% 1/4W
R259	1-249-405-11	CARBON 100	5% 1/4W	R745	1-249-417-11	CARBON 1K	5% 1/4W
R260	1-249-429-11	CARBON 10K	5% 1/4W	R748	1-249-441-11	CARBON 100K	5% 1/4W
				R749	1-249-441-11	CARBON 100K	5% 1/4W
R261	1-249-409-11	CARBON 220	5% 1/4W				
R262	1-249-405-11	CARBON 100	5% 1/4W	R750	1-249-441-11	CARBON 100K	5% 1/4W
R263	1-249-405-11	CARBON 100	5% 1/4W	R751	1-249-441-11	CARBON 100K	5% 1/4W
R264	1-249-417-11	CARBON 1K	5% 1/4W	R752	1-249-433-11	CARBON 22K	5% 1/4W
R624	1-247-749-11	CARBON 560	5% 1/2W	R753	1-249-411-11	CARBON 330	5% 1/4W
R674	1-247-749-11	CARBON 560	5% 1/2W	R754	1-249-411-11	CARBON 330	5% 1/4W
R701	1-249-441-11	CARBON 100K	5% 1/4W	R755	1-249-433-11	CARBON 22K	5% 1/4W
R702	1-249-433-11	CARBON 22K	5% 1/4W	R756	1-249-396-11	CARBON 18	5% 1/6W
R703	1-249-409-11	CARBON 220	5% 1/4W	R757	1-249-396-11	CARBON 18	5% 1/6W

PANEL (DISPLAY/CONTROL)

PIN JACK

VOL

MIC

HP

PGM. F

Ref. No.	Part No.	Description	Remark
R758	1-249-396-11	CARBON 18 5% 1/6W	
R759	1-249-396-11	CARBON 18 5% 1/6W	
R760	1-249-396-11	CARBON 18 5% 1/6W	
R761	1-249-396-11	CARBON 18 5% 1/6W	
R762	1-249-396-11	CARBON 18 5% 1/6W	
R763	1-249-441-11	CARBON 100K 5% 1/4W	
R764	1-249-441-11	CARBON 100K 5% 1/4W	
R765	1-249-441-11	CARBON 100K 5% 1/4W	
R766	1-249-441-11	CARBON 100K 5% 1/4W	
R767	1-249-441-11	CARBON 100K 5% 1/4W	
R768	1-249-441-11	CARBON 100K 5% 1/4W	
R769	1-249-433-11	CARBON 22K 5% 1/4W	
R770	1-249-429-11	CARBON 10K 5% 1/4W	
R771	1-249-429-11	CARBON 10K 5% 1/4W	
R772	1-249-433-11	CARBON 22K 5% 1/4W	
R773	1-249-405-11	CARBON 100 5% 1/4W	
R775	1-249-429-11	CARBON 10K 5% 1/4W	
R776	1-249-405-11	CARBON 100 5% 1/4W	
R779	1-249-429-11	CARBON 10K 5% 1/4W	
R781	1-249-441-11	CARBON 100K 5% 1/4W	
R782	1-249-441-11	CARBON 100K 5% 1/4W	
R783	1-249-441-11	CARBON 100K 5% 1/4W	
R784	1-249-409-11	CARBON 220 5% 1/4W	
< VARIABLE RESISTOR >			
RV251	1-241-317-11	RES. VAR. CARBON 50K (MIC LEVEL)	
RV601	1-241-318-11	RES. VAR. CARBON 100K (BALANCE)	
RV702	1-238-708-11	RES. VAR. CARBON 10K/100K/100K (VOLUME)	
< SWITCH >			
S702	1-554-303-21	SWITCH, TACTILE (PHONO)	
S703	1-554-303-21	SWITCH, TACTILE (TUNER)	
S704	1-554-303-21	SWITCH, TACTILE (CD)	
S705	1-554-303-21	SWITCH, TACTILE (TAPE)	
S706	1-554-303-21	SWITCH, TACTILE (VIDEO 1)	
S707	1-554-303-21	SWITCH, TACTILE (VIDEO 2)	
S708	1-554-303-21	SWITCH, TACTILE (EFFECT)	
S709	1-554-303-21	SWITCH, TACTILE (SURROUND MODE)	
S711	1-554-303-21	SWITCH, TACTILE (PROGRAM FUNCTION)	
S712	1-554-303-21	SWITCH, TACTILE (DBFB)	
S713	1-554-303-21	SWITCH, TACTILE (FLAT)	
S714	1-554-303-21	SWITCH, TACTILE (REVERSE)	
S715	1-554-303-21	SWITCH, TACTILE (DISPLAY)	
S716	1-554-303-21	SWITCH, TACTILE (SURROUND LEVEL)	
S718	1-554-303-21	SWITCH, TACTILE (JUZZ CLUB/1)	
S719	1-554-303-21	SWITCH, TACTILE (STUDIUM/2)	
S720	1-554-303-21	SWITCH, TACTILE (DISCO/3)	
S721	1-554-303-21	SWITCH, TACTILE (SYMPHONY/4)	
S722	1-554-303-21	SWITCH, TACTILE (MOVIE/5)	

Ref. No.	Part No.	Description	Remark
S723	1-554-303-21	SWITCH, TACTILE (POPS)	
S724	1-554-303-21	SWITCH, TACTILE (BGM)	
S725	1-554-303-21	SWITCH, TACTILE (TV-NEWS)	
S726	1-554-303-21	SWITCH, TACTILE (WM)	
S727	1-554-303-21	SWITCH, TACTILE (CAR)	
S728	1-554-303-21	SWITCH, TACTILE (PERSONAL FILE 1-5)	
S729	1-554-303-21	SWITCH, TACTILE (Δ)	
S730	1-554-303-21	SWITCH, TACTILE (▽)	
S731	1-554-303-21	SWITCH, TACTILE (▷)	
S732	1-554-303-21	SWITCH, TACTILE (◁)	
S733	1-554-303-21	SWITCH, TACTILE (MEMORY)	

< VIBRATOR >

X701 1-577-101-11 VIBRATOR, CERAMIC (4.19MHZ)

MISCELLANEOUS

12	1-590-243-11	WIRE, FLAT TYPE (21 CORE)	
59	Δ 1-575-654-11	CORD, POWER (AEP, G. IT, UK)	
59	Δ 1-575-656-11	CORD, POWER (UK)	
59	Δ 1-575-669-21	CORD, POWER (E, AUS)	
68	* 1-639-252-11	VOLTAGE SELECTOR BOARD (E, EA, AUS)	
CNJ901	Δ 1-526-751-11	OUTLET, AC (UK)	
CNJ901	Δ 1-526-794-11	OUTLET, AC (AEP, G. IT, EA, AUS)	
CNJ901	Δ 1-526-882-00	OUTLET, AC (E)	
F1	Δ 1-532-259-00	FUSE T1.6A	
F2	Δ 1-532-259-00	FUSE T1.6A	
F3	Δ 1-532-388-51	FUSE T2A	
F4	Δ 1-532-388-51	FUSE T2A	
J251	1-507-854-00	JACK, LARGE TYPE (MIC)	
J701	1-507-854-00	JACK, LARGE TYPE (HEADPHONES)	
RV251	1-241-317-11	RES. VAR. CARBON 50K (MIC LEVEL)	
RV601	1-241-318-11	RES. VAR. CARBON 100K (BALANCE)	
T901	Δ 1-450-422-11	TRANSFORMER, POWER (E, EA, AUS)	
T901	Δ 1-450-423-11	TRANSFORMER, POWER (AEP, G. IT, UK)	

ACCESSORY & PACKING MATERIAL

* 4-934-859-01 CUSHION

HARDWARE LIST

# 1	7-621-773-93	SCREW (PANEL 2.6 TP2)	
# 2	7-685-647-79	SCREW +BVTP 3X10 TYPE2 N-S	
# 3	7-682-549-04	SCREW +BVTT 3X10 (S)	
# 4	7-685-646-79	SCREW +BVTP 3X8 TYPE2 N-S	
# 5	7-682-560-04	SCREW +BVTT 4X6 (S)	
# 6	7-682-548-04	SCREW +BVTT 3X8 (S)	
# 7	7-685-534-19	SCREW +PTP 2.6X8 (E, EA, AUS)	

The components identified by mark **Δ** or dotted line with mark **Δ** are critical for safety. Replace only with part number specified.

Sony Corporation
Audio Group